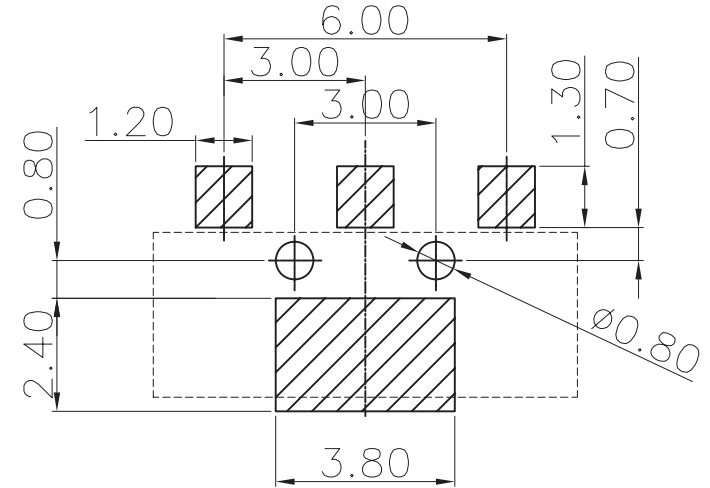
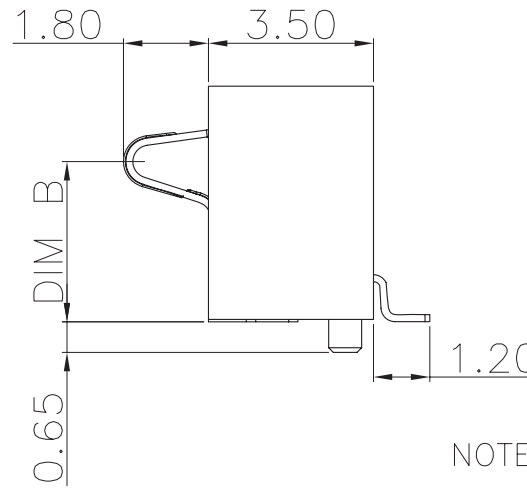
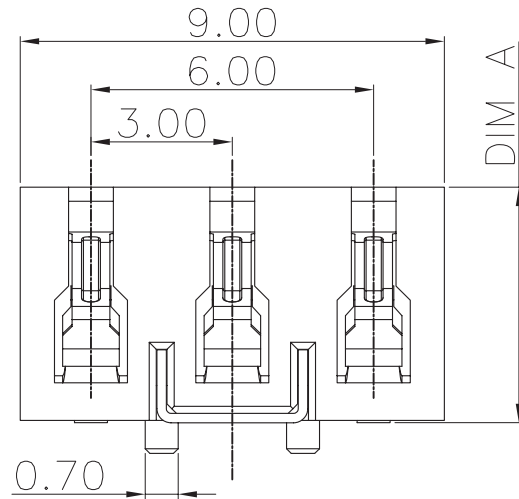


REV.	ECN.NO.	MODIFY.CONTENT	DATE
A		NEW	2011/10/31

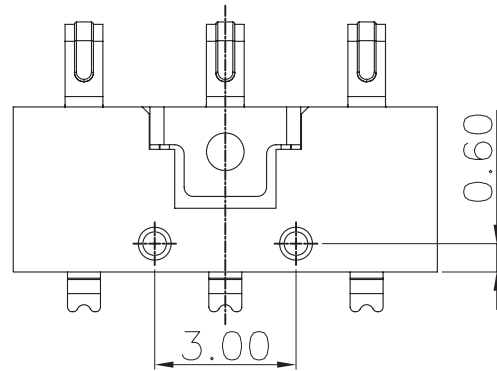
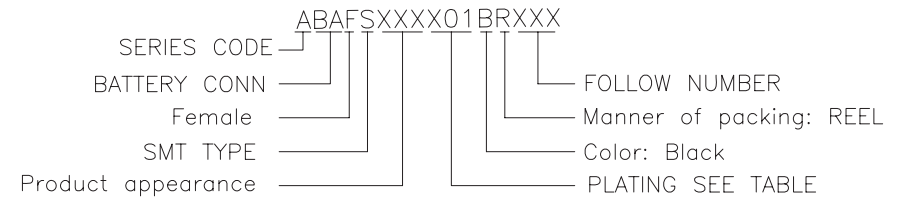


RECOMMENDED PCB LAYOUT
TOL:(± 0.05)

NOTES:

- Material:
Housing: HI-Temp plastic UL 94V-0
Contact: Copper Alloy
Nail: STAINLESS STEEL
- Finish :
CONTACT: G/F" Gold plated on contact area;
G/F plated on solder tails, Base Nickel :50u" Min
Nail: 50u" NICKEL UNDER, 100u" TIN OVERALL

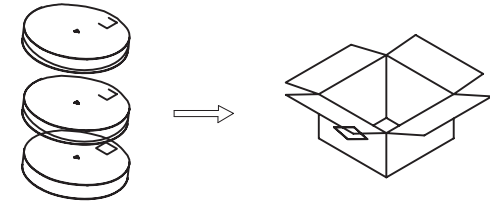
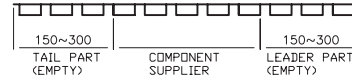
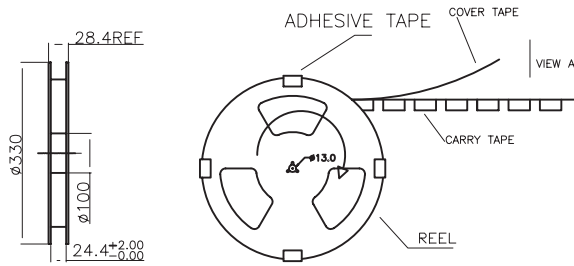
PART NUMBER INFORMATION :



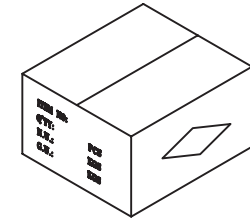
ABAFS072B01BR009	7.20	5.60
ABAFS070B01BR008	7.00	5.40
ABAFS068B01BR007	6.80	5.20
ABAFS062B01BR006	6.20	4.60
ABAFS060B01BR005	6.00	4.40
ABAFS058B01BR004	5.80	4.20
ABAFS054B01BR003	5.40	3.80
ABAFS050B01BR002	5.00	3.40
ABAFS046B01BR001	4.60	3.00
Be filled	A	B

GENERAL TOLERANCE		DWG NO.	LZA0405-03	APPD:	WIND	Scale	1:1
X. ± 0.45	x. $\pm 5^{\circ}$	Title	BATTERY 3PIN 3.0PITCH 4.6H-7.2H WITH POST	CHKD:		UNIT	mm
.X ± 0.35	.x $\pm 2^{\circ}$			DR:			
.XX ± 0.25	.xx $\pm 1^{\circ}$	Part NO.	SEE TABLE	Date	2012/02/29		
.XXX ± 0.15	.xxx $\pm 0.5^{\circ}$	<p>东莞市汉硕电子科技有限公司</p>					
SHEET		1/1					

REV.	ECN.NO.	MODIFY.CONTENT	DATE
A		NEW	2012/04/13

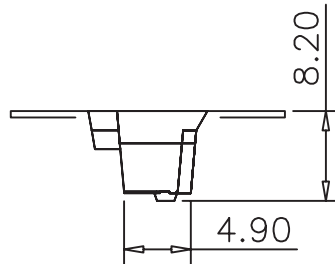
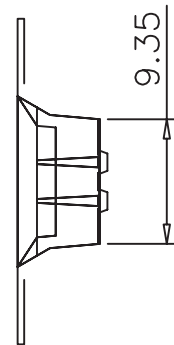
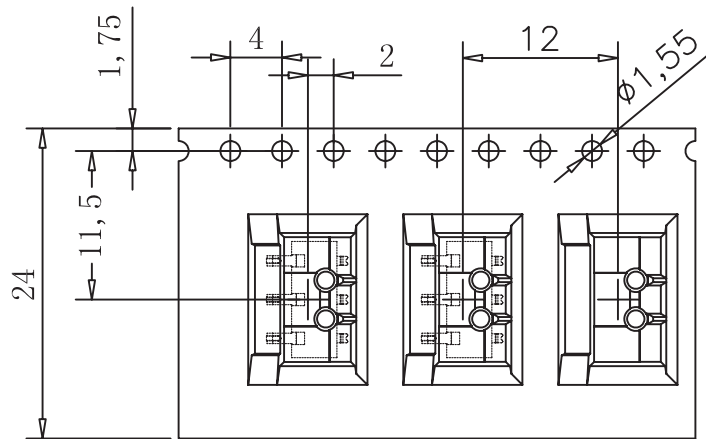


每箱装12盘, 依次叠在一起(图一)



封箱, 填写相关内容(图二)

对应三视图



NOTE:

1. CARRY TAPE(黑色) 前部分与尾部分各留出150~300mm长度不装产品
2. 每穴放置1PCS产品, 放置方式如图所示
3. 包装机包好后, 在REEL的个等分点贴上胶带, 以防止REEL张开, 每REEL贴1PCS标签
4. 包装数量: 750PCS/REEL, 12REEL/CARTON, 9000PCS/CARTON
5. 依次将产品放入箱内, 共放12盘(图示一)
6. 封箱, 在封好的纸箱上按客户要求写上料号, 数量等(图示二)
7. 顺向出料, 单孔朝外。
8. 顺向出料, 双孔按图示三

GENERAL TOLERANCE		DWG NO.	LZA0519-002	APPD:	WIND	Scale	1:1
X.±0.45	x.±5°	Title	BATTERY 3P 3.0PITCH 4.6H-7.2H包装图	CHKD:		UNIT	mm
.X±0.35	.x'±2°			DR:			
.XX±0.25	.xx'±1°	Part NO.		Date	2012/04/13		
.XXX±0.15	.xxx'±0.5°						
SHEET	1/1	东莞市汉硕电子科技有限公司					