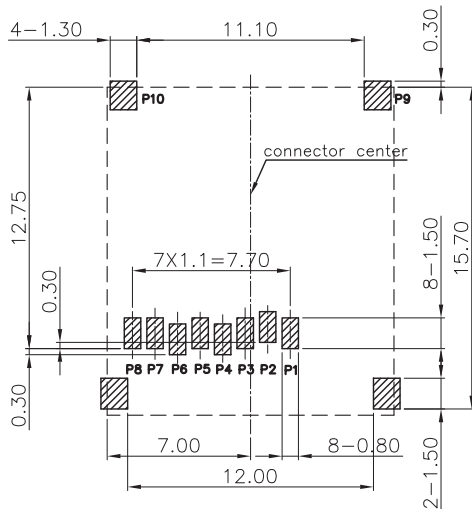
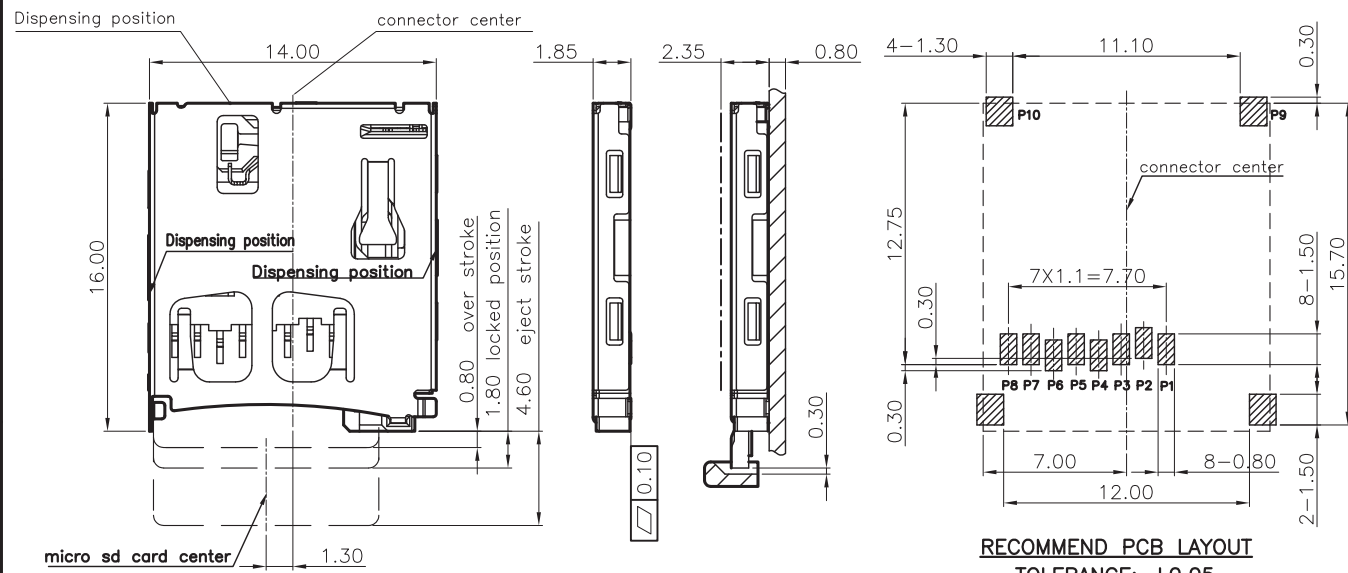
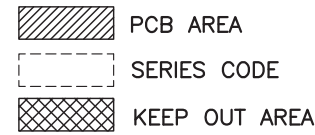


REV.	DESCRIPTION	DATE
A	RELEASE	Mar 25, 2013



RECOMMEND PCB LAYOUT
TOLERANCE: ±0.05
TOP VIEW



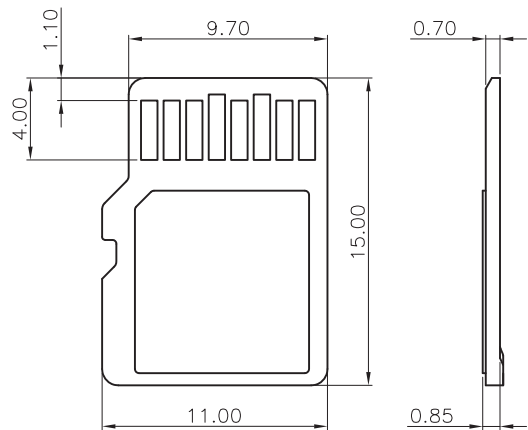
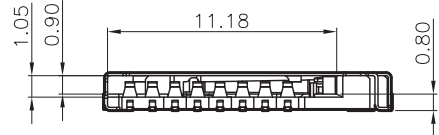
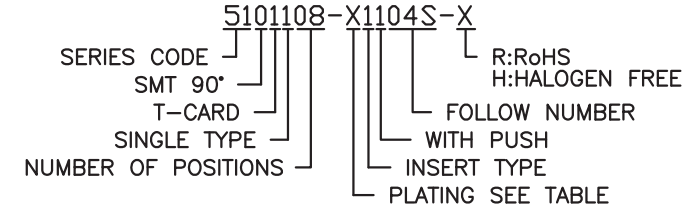
MATERIALS

1. HOUSING : THERMOPLASTIC (UL 94V-0) .
2. TERMINAL : COPPER ALLOY, PLATING SEE TABLE.
3. SHELL :STAINLESS STEEL,NICKEL PLATED OVERALL.

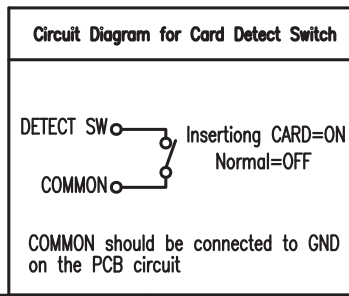
SPECIFICATION

1. CURRENT RATING : 0.5 A. MAX.
2. DIELECTRIC WITHSTANDING VOLTAGE :
500V AC R.M.S. FOR 1 MINUTE.
3. INSULATION RESISTANCE : 1000MΩ MIN.AT 500V DC.
4. CONTACT RESISTANCE : 100mΩ MAX.
5. OPERATING TEMPERATURE : -40°C TO +85°C.
6. MATING CYCLES : 10000 INSERTIONS.

PART NUMBER INFORMATION :



terminal NO. Connector	Pin NO.
Pin 1	DAT2:Data line
Pin 2	CD/DAT3:card Detect/Data line
Pin 3	CMD:command/Response
Pin 4	VDD: Supply voltage
Pin 5	CLK:Clock
Pin 6	VSS:Supply voltage ground
Pin 7	DAT0:Data line
Pin 8	DAT1:Data line
Pin 9	COMMON
Pin 10	DETECT SW(GND)



DESCRIPTION OF PLATING ON TERMINALS			
NO.	EXPLAIN	NO.	EXPLAIN
0	GOLD FLASH	3	GOLD 15u"
1	GOLD 5u"	4	GOLD 20u"
2	GOLD 10u"	6	GOLD 30u"

TOLERANCE .0=±0.25 .00=±0.15 .000=±0.05 ANG.=±3°	DRAWER 221 CHECK 221 APP'D 221	汉硕电子科技有限公司
UNITS : mm	PRODUCT SPEC. —	
SCALE NONE	SIZE A7	NAME
SHEET 1 OF 1	REV. A	T-FLASH CARD TOP PUSH H=1.85
		DRAW NO. R5101108-X1104S-X