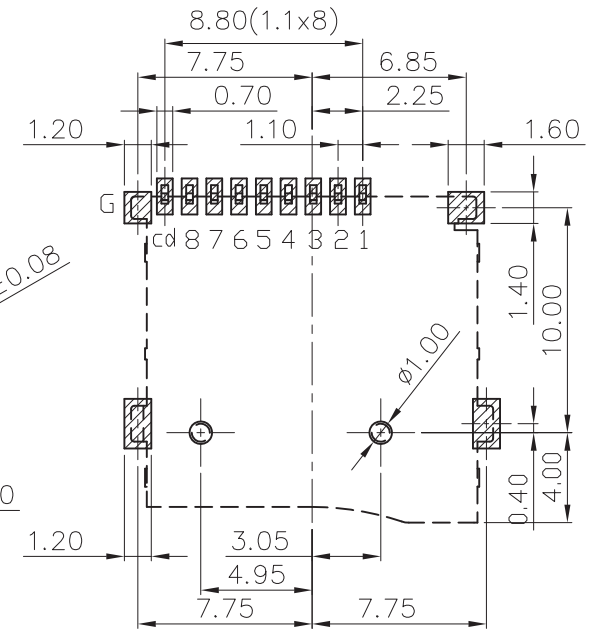
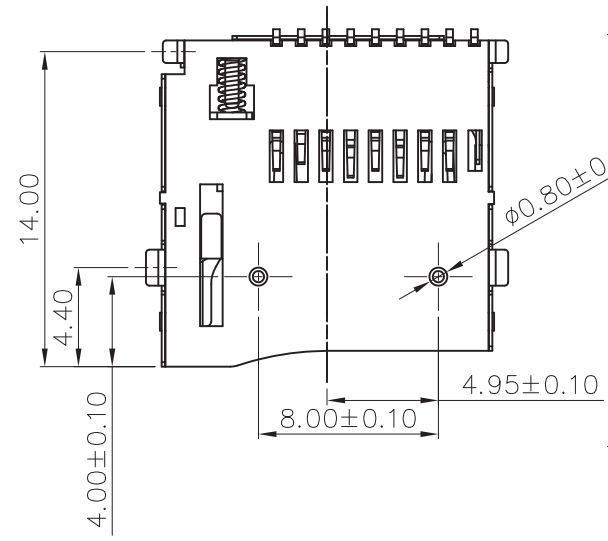
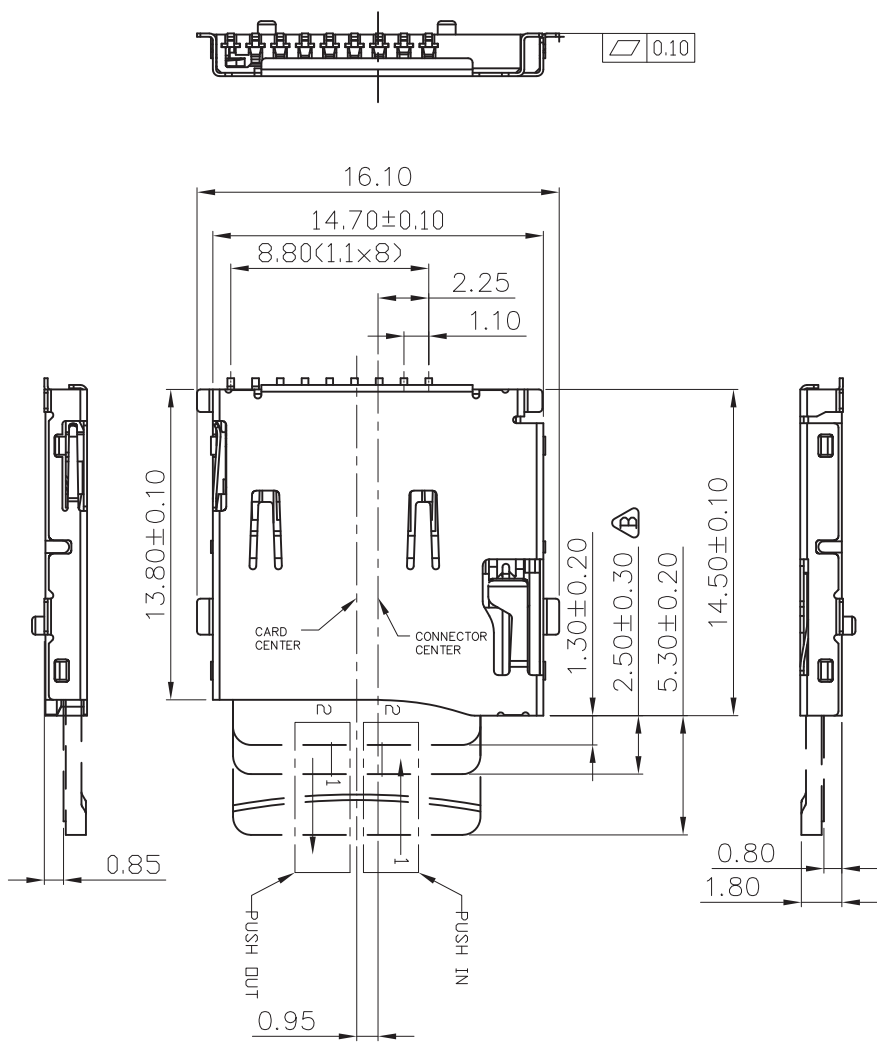


REV	DESCRIPTION	DATE
B	20121105	Nov 20, 2012



RECOMMEND P.C.B LAYOUT TOP VIEW
TOLERANCE±0.05

PIN NUMBER	PIN ASSIGNMENT	CARD DETECTION SWITCH	
1	DAT2	WHEN CARD ISEJECTCD	WHEN CARD IS INSERTED
2	CD/DAT3		
3	CMD	OPEN	CLOSE
4	VDD		
5	CLK	Cd	G
6	VSS		
7	DAT0	Cd	G
8	DAT1		
Cd	CARD DETECTION	Cd	G
G	GROUND		

ORDER INFORMATION:

5191108-X90-X

SERIES CODE
SMT
T-FLASH
SINGLE TYPE
NUMBER OF
POSITIONS

ENVIRONMENTAL
PROTECTION CODE:
R:ROHS
H:HALOGEN FREE
FOLLOW NUMBER
CONTACT PLATING:
0: GOLD FLASH

TOLERANCE		DRAWER	
.0=±0.25		Joy	
.00=±0.20		CHECK Teng	
.000=±0.10		APP'D Wisely	
ANG.=±2°		PRODUCT SPEC.	
UNITS : mm [inch]		SCALE	
NONE	A4	SHEET	REV.
		1 OF 1	A

汉硕电子科技有限公司	
NAME	
T-FLASH CARD CONNECTOR	
DRAW NO.	
CA20101011-01	