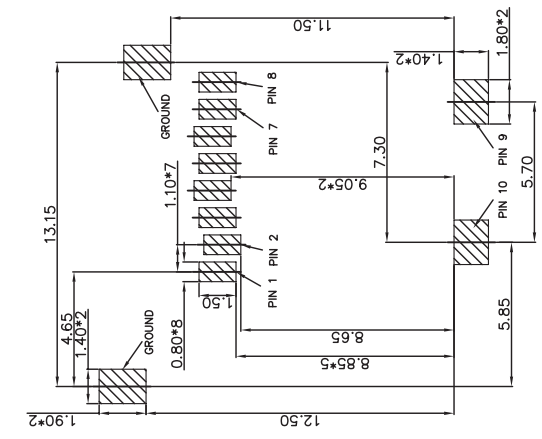


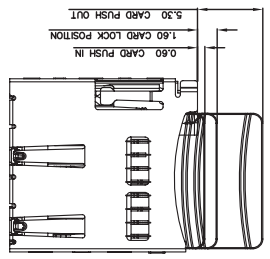
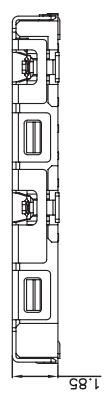
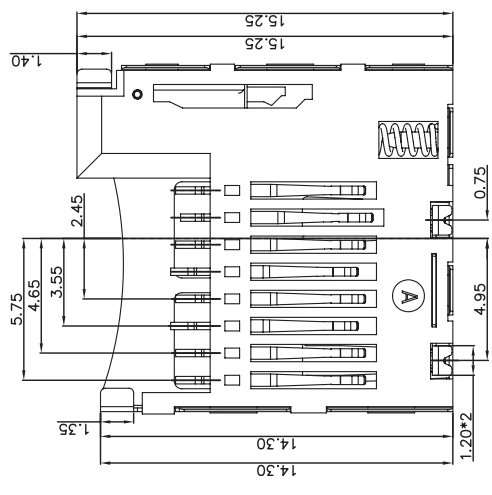
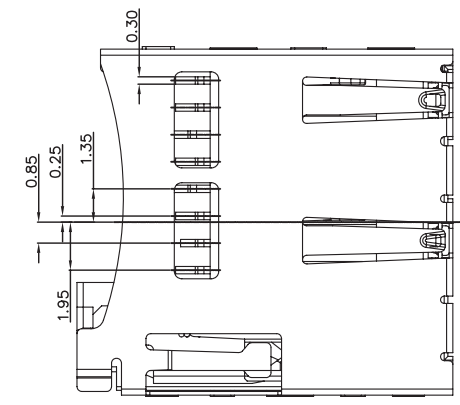
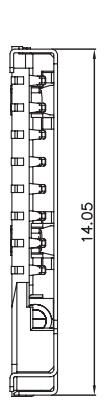
REV.	ECN NO.	MODIFY CONTENT	DATE
A		NEW	2011/10/31



RECOMMENDED PCB LAYOUT  
(ALL TOLERANCE ARE ±0.05)

SPECIFICATION:

- Electrical characteristics
  - Contact current rating: 0.5A Max.
  - Contact resistance: 100 milli-Ohm Max.
  - Insulation resistance: 250V DC or 300V AC for no less than 1 minute
- Mechanical characteristics
  - Mating durability: 10000 cycles.
  - Insertion force: 2.0Kgf Max.
  - Extraction force: 0.5Kgf Min.



Pin No.	MICRO SD
PIN1	1P
PIN2	CD/DAT3
PIN3	CMD
PIN4	VDD
PIN5	CLK
PIN6	VSS
PIN7	DAT0
PIN8	DAT1
PIN9	CARD DETECT
PIN10	

GENERAL TOLERANCE	DWG NO.	LZA0525-012	APPD:	WIND	Scale	1:1
X.±0.45	x.±5°	MICRO SD PUSH 内焊 常闭型	CHKD:		UNIT	mm
.X±0.35	.x±2°	AIFFS190A01BR007	DR:	Date		
.XX±0.25	.xx±1°					
.XXX±0.15	.xxx±0.5°					
SHEET	1/1					

东莞市汉硕电子科技有限公司