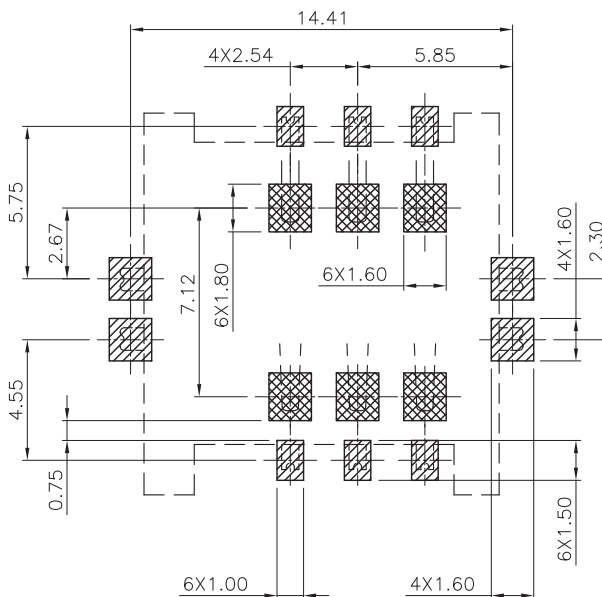
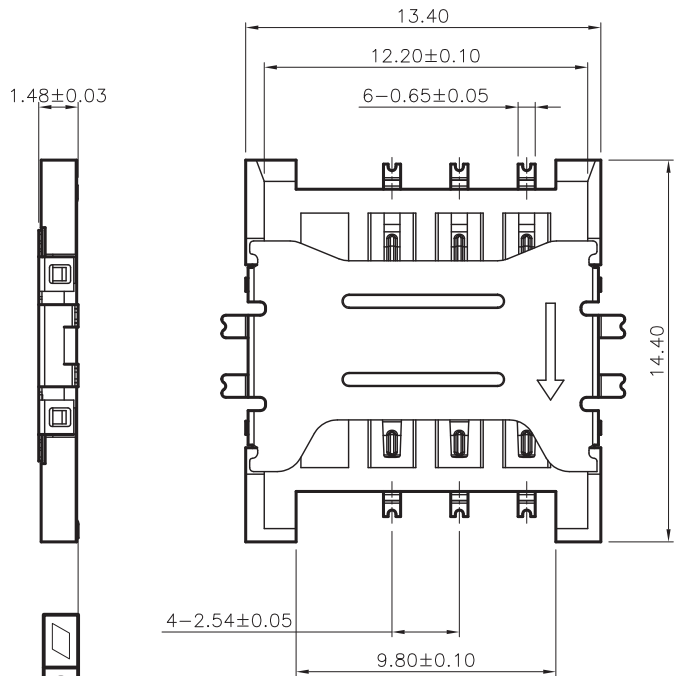


REV.	DESCRIPTION	DATE
A	RELEASE	Mar 12, 2013



RECOMMENDED P.C.B. LAYOUT
TOLERANCE:±0.05 TOP VIEW

- PCB AREA
- CONNECT AREA
- KEEP OUT AREA

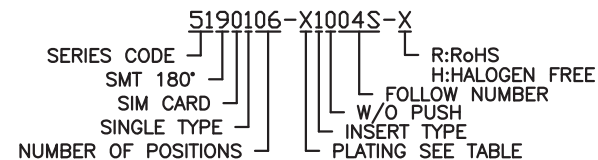
MATERIALS

- HOUSING : THERMOPLASTIC (UL 94V-0) .
- TERMINAL : COPPER ALLOY,
PLATING : GOLD PLATED ON CONTACT AREA
AND SOLDER TAILS,NICKEL PLATED OVERALL.
- SHELL : STAINLESS STEEL.
PLATING : NICKEL PLATED OVERALL.
GOLD PLATED ON SOLDER TAILS

SPECIFICATION

- CURRENT RATING : 1.0 A MAX.
- DIELECTRIC WITHSTANDING VOLTAGE :
500V AC R.M.S. FOR ONE MINUTE.
- INSULATION RESISTANCE : 1000MΩ MIN. AT 500V DC.
- CONTACT RESISTANCE : 30mΩ MAX.
- OPERATING TEMPERATURE : -40°C TO +85°C.

PART NUMBER INFORMATION :



DESCRIPTION OF PLATING ON TERMINALS

NO.	EXPLAIN	NO.	EXPLAIN
0	GOLD FLASH	3	GOLD 15u"
1	GOLD 5u"	4	GOLD 20u"
2	GOLD 10u"	6	GOLD 30u"

TOLERANCE .0=±0.25 .00=±0.15 .000=±0.10 ANG.=±3°	DRAWER <i>JSSZY</i>	汉硕电子科技有限公司
CHECK <i>JSSZY</i>	APP'D <i>JLWX</i>	
PRODUCT SPEC. —	NAME	MICRO SIM SOCKET 6PIN 1.50H
UNITS : mm	DRAW NO.	
SCALE NONE	SIZE A8	R5190106-X1004S-X
SHEET 1 OF 1	REV. A	

