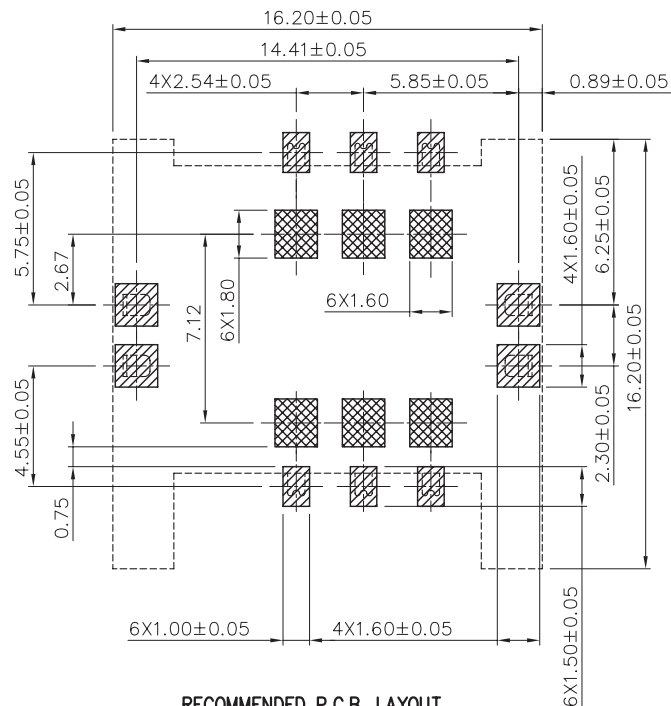
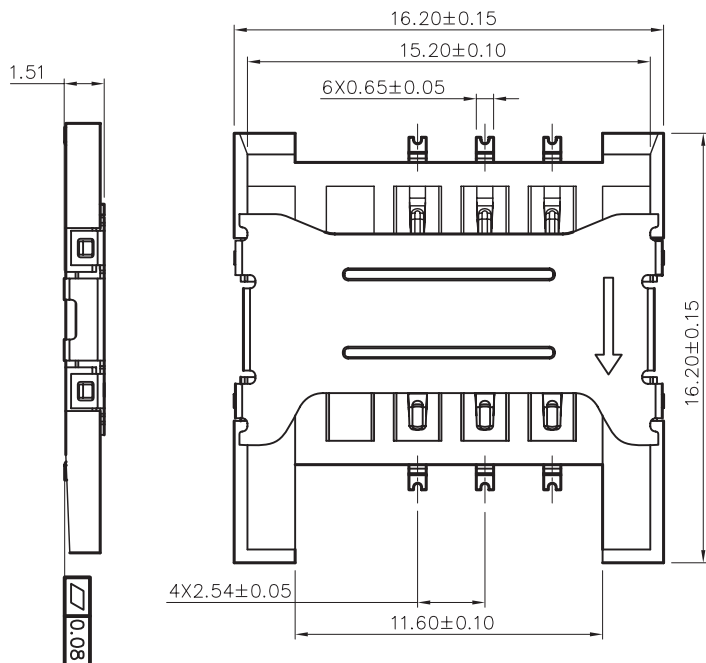
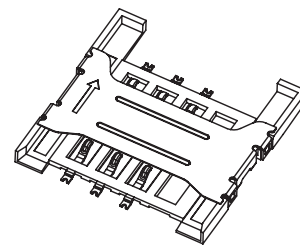
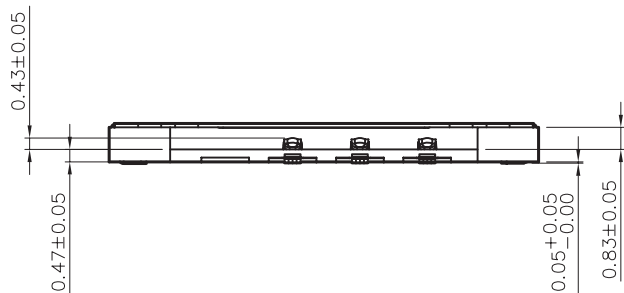


REV.	DESCRIPTION	DATE
A	RELEASE	Jul 24, 2012



RECOMMENDED P.C.B. LAYOUT
TOLERANCE: ±0.05 TOP VIEW

- PCB AREA
- CONNECT AREA
- KEEP OUT AREA



1:2

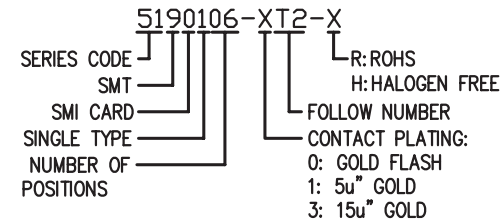
MATERIALS

- HOUSING : THERMOPLASTIC (UL 94V-0) .
- TERMINAL : COPPER ALLOY,
PLATING : GOLD PLATED ON CONTACT AREA
AND SOLDER TAILS, NICKEL PLATED OVERALL.
- SHELL : STAINLESS STEEL.
PLATING : NICKEL PLATED OVERALL.
GOLD PLATED ON SOLDER TAILS

SPECIFICATION

- CURRENT RATING : 1.0 A MAX.
- DIELECTRIC WITHSTANDING VOLTAGE :
500V AC R.M.S. FOR ONE MINUTE.
- INSULATION RESISTANCE : 1000MΩ MIN. AT 500V DC.
- CONTACT RESISTANCE : 30mΩ MAX.
- OPERATING TEMPERATURE : -40°C TO +85°C.

PART NUMBER INFORMATION :



DESCRIPTION OF PLATING ON TERMINALS			
NO.	EXPLAIN	NO.	EXPLAIN
0	GOLD FLASH	3	GOLD 15u"
1	GOLD 5u"	4	GOLD 20u"
2	GOLD 10u"	6	GOLD 30u"

TOLERANCE .0=±0.25 .00=±0.20 .000=±0.10 ANG.=±3°	DRAWER <i>Sally</i>	汉硕电子科技有限公司 NAME SIM CARD SOCKET DRAW NO. R5190106-XT2-X
	CHECK <i>Sally</i>	
	APP'D <i>Tom</i>	
	PRODUCT SPEC. —	
UNITS : mm 	SCALE NONE SIZE A8 SHEET 1 OF 1 REV. A	