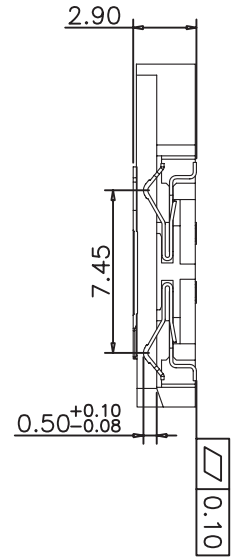
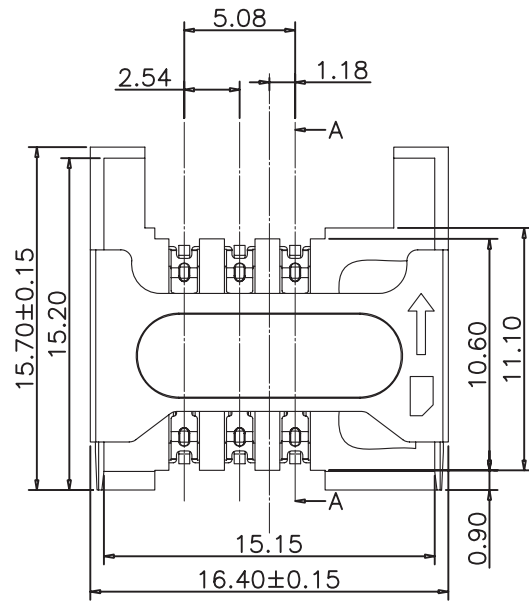
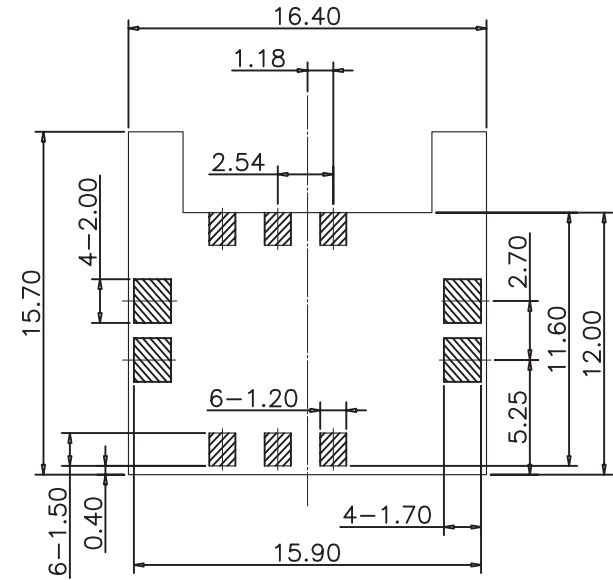


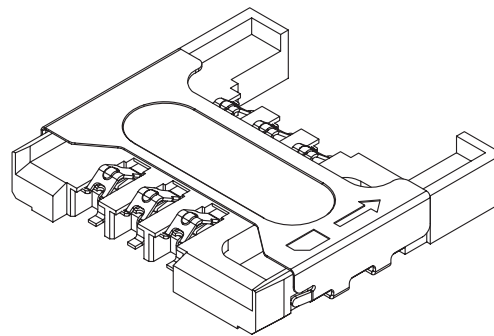
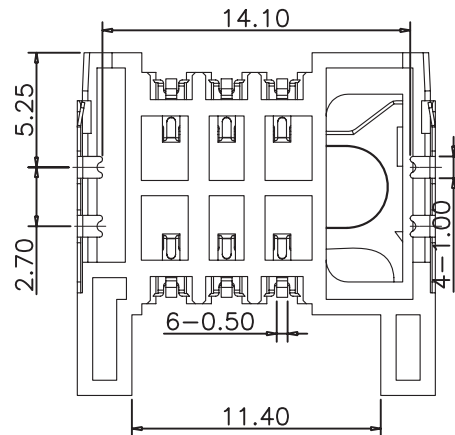
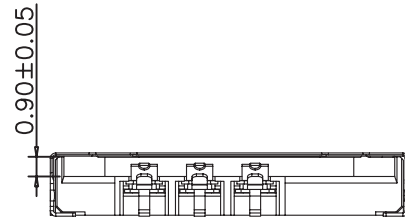
| REV. | ECN.NO. | MODIFY.CONTENT | DATE       |
|------|---------|----------------|------------|
| A    |         | NEW            | 2011/10/31 |



SECTION A-A



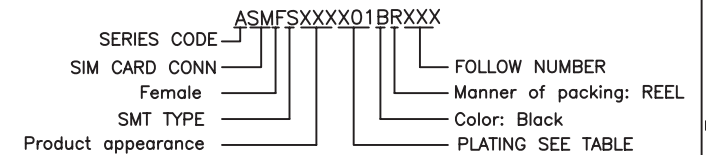
RECOMMENDED PCB LAYOUT  
TOL:(±0.05)



NOTES:

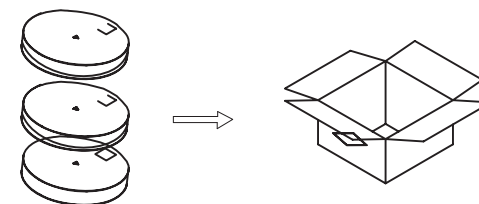
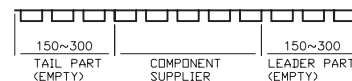
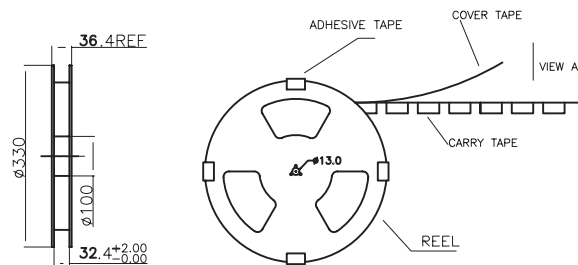
- MATERIAL:  
HOUSING: LCP, GLASS FILLED, UL94V-0  
CONTACT: PHOSPHOR BRONZE, T=0.15mm  
SHELL: STAINLESS STEEL, T=0.15mm
- FINISH:  
CONTACT: 40-150u" UNDER PLATING ALL OVER  
GOLD FLASH 1u" MIN ALL OVER  
SHELL: SELECTIVE GOLD FLASH IN SOLDER TAIL AREA  
UNDERPLATING 40-150u" NICKEL OVERALL

PART NUMBER INFORMATION :

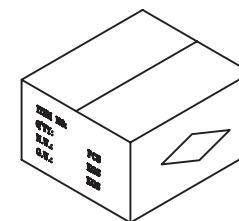


| GENERAL TOLERANCE |            | DWG NO.       | LZA0312-001               | APPD: | WIND       | Scale | 1:1 |
|-------------------|------------|---------------|---------------------------|-------|------------|-------|-----|
| X.±0.45           | x.*±5°     | Title         | SIM CARD 6P 2.9H<br>连桥 有档 | CHKD: |            | UNIT  | mm  |
| .X±0.35           | .xx*±2°    |               |                           | DR:   |            |       |     |
| .XX±0.25          | .xx*±1°    | Part NO.      | ASMFS290A01BR036          | Date  | 2013/02/29 |       |     |
| .XXX±0.15         | .xxx*±0.5° |               |                           |       |            |       |     |
| SHEET             | 1/1        | 东莞市汉硕电子科技有限公司 |                           |       |            |       |     |

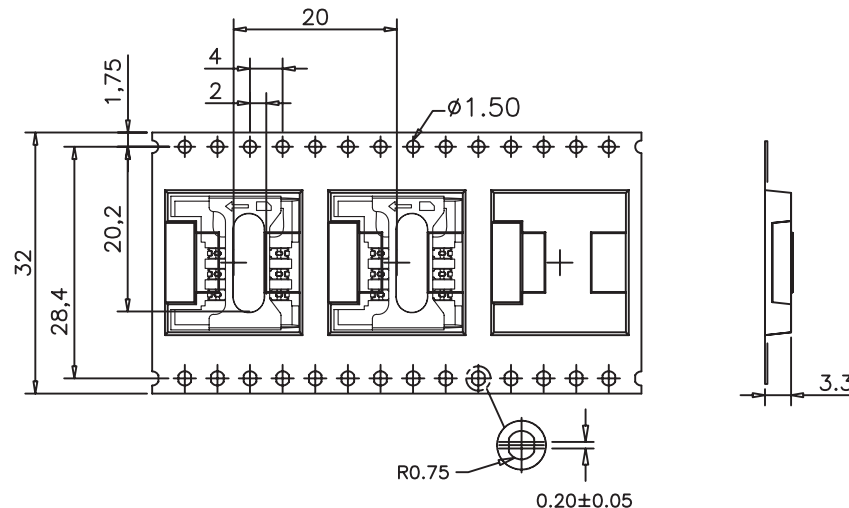
|      |         |                |            |
|------|---------|----------------|------------|
| REV. | ECN.NO. | MODIFY.CONTENT | DATE       |
| A    |         | NEW            | 2012/04/13 |



每箱装9盘, 依次叠在一起(图一)



封箱, 填写相关内容(图二)



NOTE:

1. CARRY TAPE(黑色)前部分与尾部分各留出150~300mm长度不装产品
2. 每穴放置1PCS产品, 放置方式如图所示
3. 包装机包好后, 在REEL的个等分点贴上胶带, 以防止REEL张开, 每REEL贴1PCS标签
4. 包装数量: 900PCS/REEL, 9REEL/CARTON, 8100PCS/CARTON
5. 依次将产品放入箱内, 共放9盘(图一)
6. 封箱, 在封好的纸箱上按客户要求写上料号, 数量等(图二)

|                   |            |               |                         |       |            |       |     |
|-------------------|------------|---------------|-------------------------|-------|------------|-------|-----|
| GENERAL TOLERANCE |            | DWG NO.       | LZA0521-018             | APPD: | WIND       | Scale | 1:1 |
| X.±0.45           | x.'±5'     | Title         | SIM CARD 6P 2.9H<br>包装图 | CHKD: |            | UNIT  | mm  |
| .X±0.35           | .x'±2'     |               |                         | DR:   |            |       |     |
| .XX±0.25          | .xx'±1'    | Part NO.      |                         | Date  | 2012/04/13 |       |     |
| .XXX±0.15         | .xxx'±0.5' |               |                         |       |            |       |     |
| SHEET             | 1/1        | 东莞市汉硕电子科技有限公司 |                         |       |            |       |     |