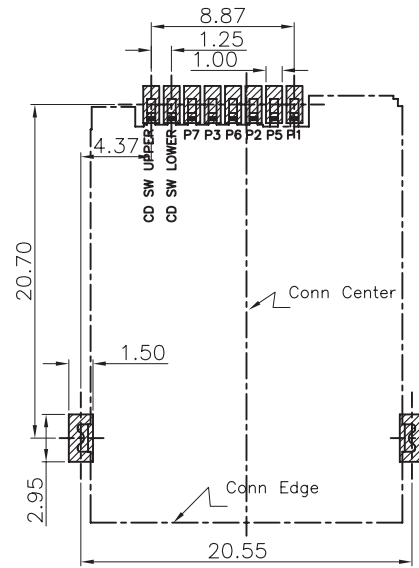
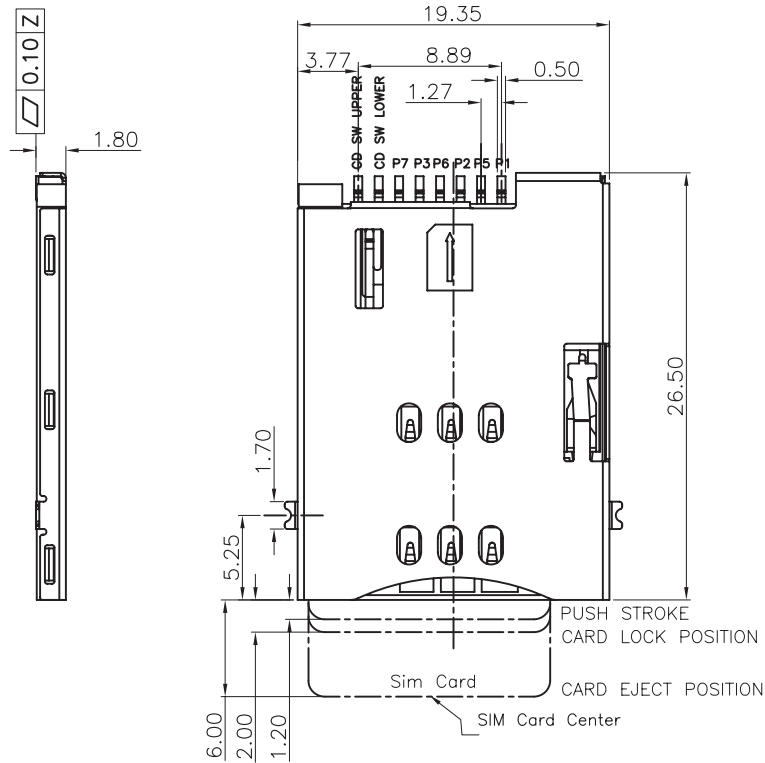


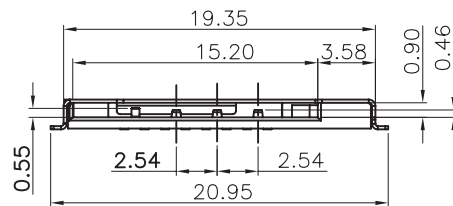
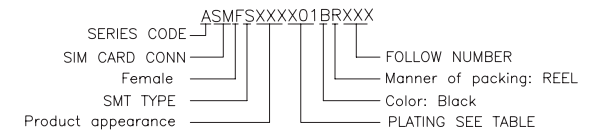
REV.	ECN.NO.	MODIFY.CONTENT	DATE
A		NEW	2013/11/02



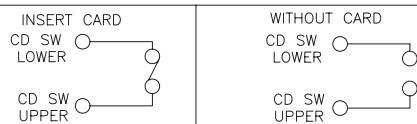
Specification:

- *Electrical Characteristics:
Current Rating;0.5A.
Withstanding Voltage:AC500V r.m.s.
Insulation Resistance:1000Megohms Minimum at DC 500V
Contact Resistance:100Miliohms Maximum.
- *Mechanical Characteristics:
Mating Cycles:3000 Insertions.
- *Environmntal:
Operating Temperature:-40°To+60°

PART NUMBER INFORMATION :



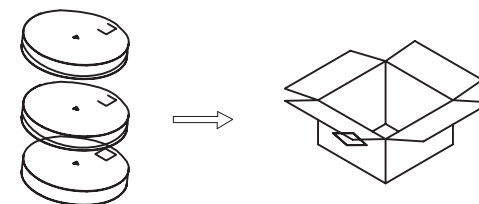
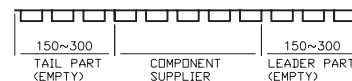
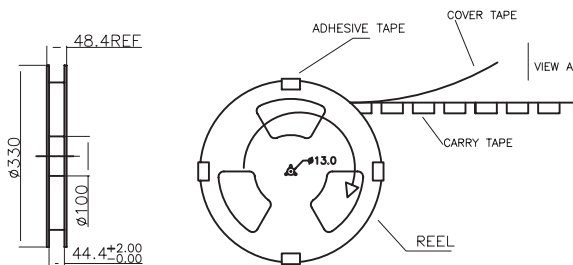
Circuit Diagram for Card Detect Switch



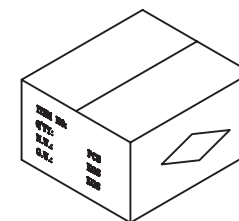
CONNECTOR TERMINAL NO	PIN NO
PIN 1	VCC:PWR SIGNAL AND GND
PIN 2	RST:RESET SIGNAL
PIN 3	CLK:CLOCKING SIGNAL
PIN 5	GND:PWR SIGNAL AND GND
PIN 6	VPP:PROGRAMMING VOLTAGE
PIN 7	I/O:SERIAL DATA INPUT/OUTPUT

GENERAL TOLERANCE		DWG NO.	LZA1102-003	APPD:	spring	Scale	1:1
X.±0.25	x.'±5'	Title	SIM CARD PUSH (6+2PIN) H=1.80mm 无柱	CHKD:		UNIT	mm
.X±0.20	.x'±2'			DR:			
.XX±0.15	.xx'±1'	Part NO.	ASMFS180C01BR0047	Date	2013/11/02		
.XXX±0.08	.xxx'±0.5'	东莞市汉硕电子科技有限公司					
SHEET	1/1						

REV.	ECN.NO.	MODIFY.CONTENT	DATE
A		NEW	2012/04/13

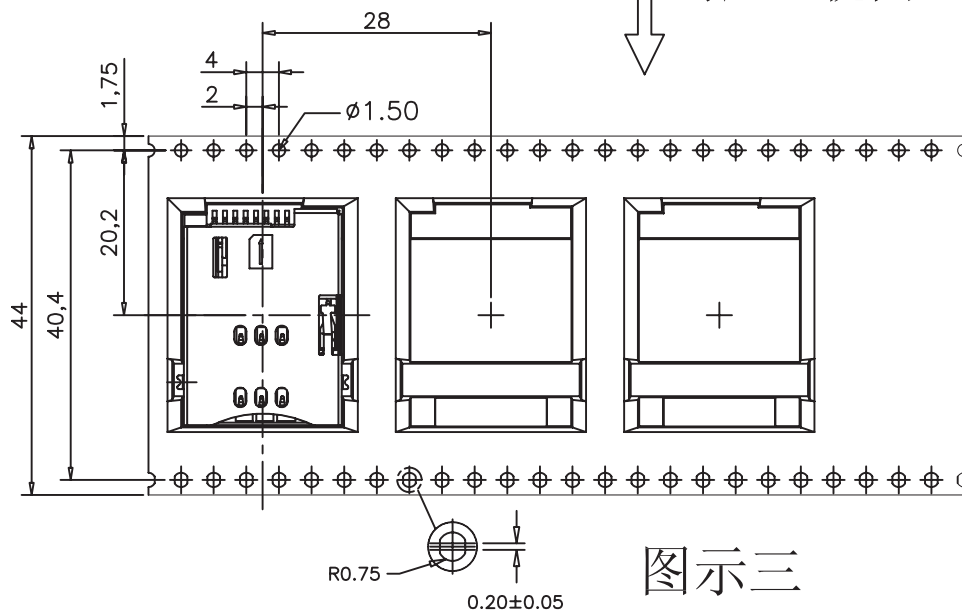


每箱装7盘, 依次叠在一起(图一)

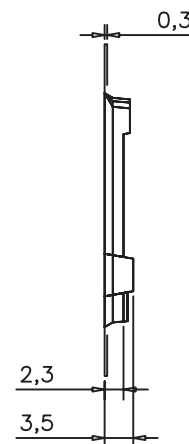


封箱, 填写相关内容(图二)

对应三视图



图示三



NOTE:

1. CARRY TAPE(黑色)前部分与尾部分各留出150~300mm长度不装产品
2. 每穴放置1PCS产品, 放置方式如图所示
3. 包装机包好后, 在REEL的个等分点贴上胶带, 以防止REEL张开, 每REEL贴1PCS标签
4. 包装数量: 550PCS/REEL, 7REEL/CARTON, 3850PCS/CARTON
5. 依次将产品放入箱内, 共放7盘(图示一)
6. 封箱, 在封好的纸箱上按客户要求写上料号, 数量等(图示二)
7. 顺向出料, 单孔朝外。
8. 顺向出料, 双孔按图示三

GENERAL TOLERANCE		DWG NO.	LZAO422-001	APPD:	WIND	Scale	1:1
X.±0.45	x.'±5'	Title	SIM CARD SMT TYPE PUSH 6+2 1.80-2.20H 包装图	CHKD:		UNIT	mm
.X±0.35	.x'±2'			DR:			
.XX±0.25	.xx'±1'	Part NO.		Date	2014/04/13		
.XXX±0.15	.xxx'±0.5'						
SHEET	1/1	东莞市汉硕电子科技有限公司					