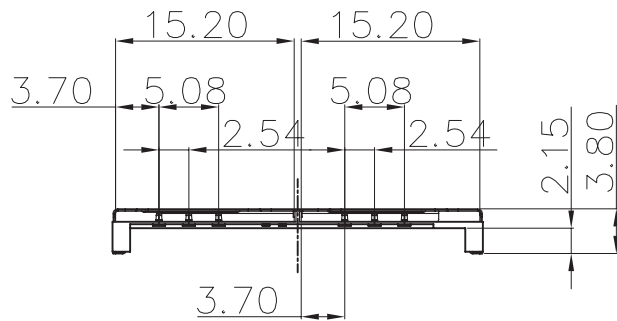
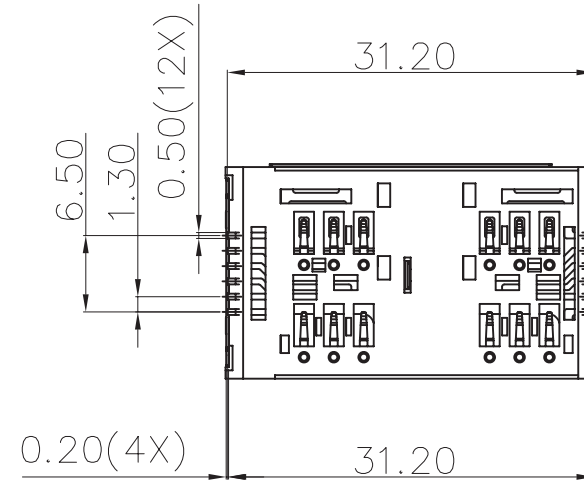
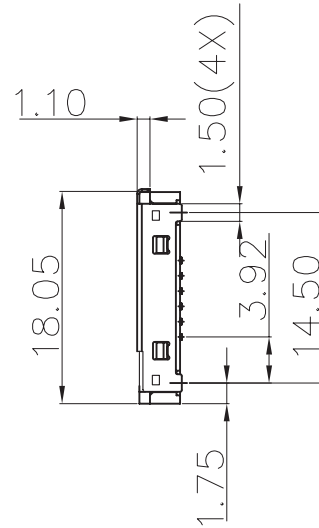
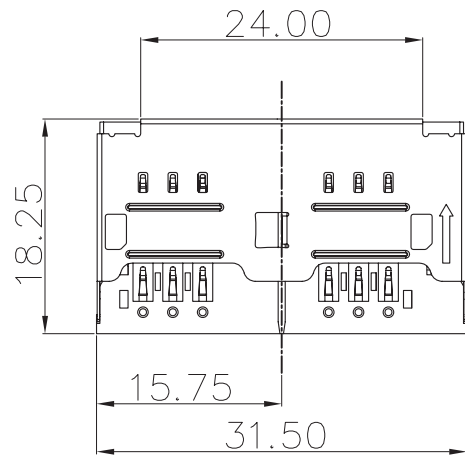
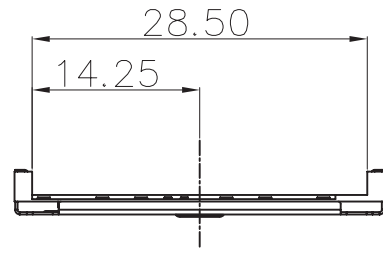
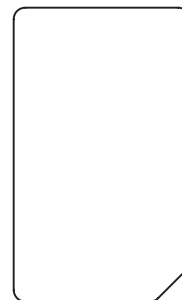
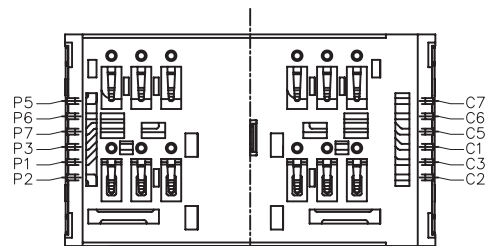


REV.	ECN.NO.	MODIFY.CONTENT	DATE
A		NEW	2011/04/16

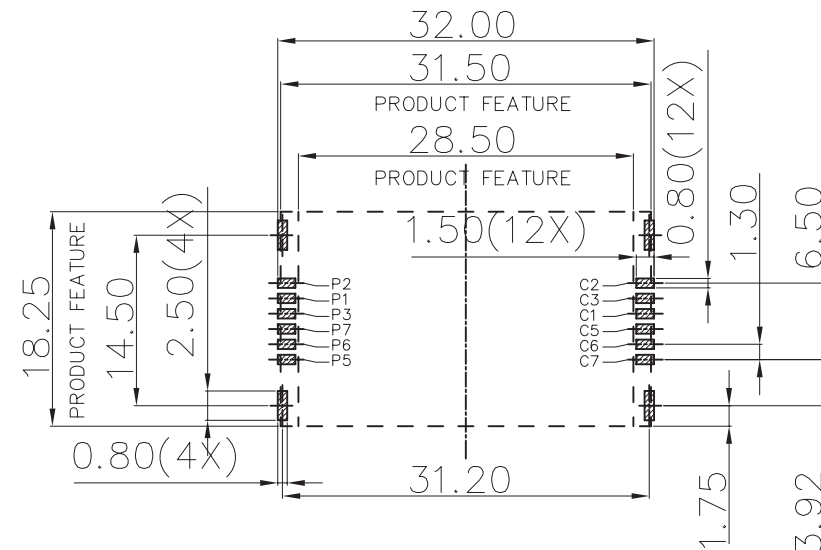


GENERAL TOLERANCE		DWG NO.	LZA1231-44	APPD:	WIND	Scale	1:1
X±0.45	x.*±5°	Title	SIM CARD SMT TYPE 3.80H	CHKD:		UNIT	mm
.X±0.35	.x.*±2°			DR:			
.XX±0.25	.xx.*±1°	Part NO.	ASMFS380B01BR016	Date	2012/04/16		
.XXX±0.15	.xxx.*±0.5°	东莞市汉硕电子科技有限公司					
SHEET	1/2						

REV.	ECN.NO.	MODIFY.CONTENT	DATE
A		NEW	2012/04/16



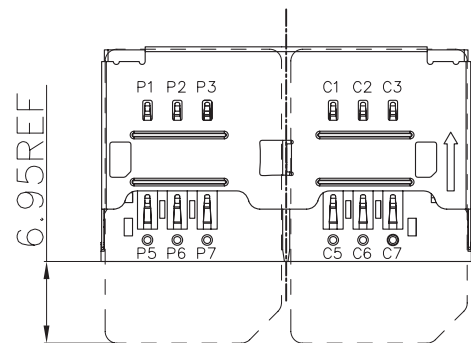
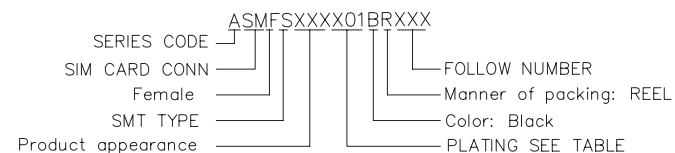
SIM CARD 1 = P
SIM CARD 2 = C



RECOMMENDED PCB LAYOUT(TOP VIEW)
GENERAL TOLERANCES: ±0.05

NOTES:

- Material:
Housing: HI-Temp plastic UL 94V-0
Contact: Copper Alloy
Shell: STAINLESS STEEL
 - Finish :
CONTACT: G/F" Gold plated on conatct area;
G/F plated on solder tails, Base Nickel : 50u"Min
SHELL: 50u" NICKEL UNDER, G/F on solder tails
- PART NUMBER INFORMATION :

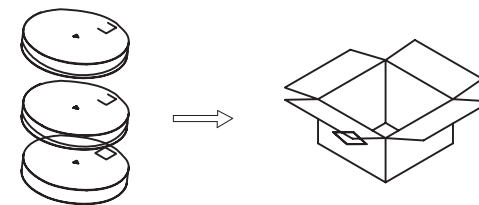
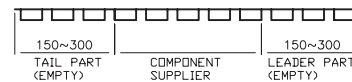
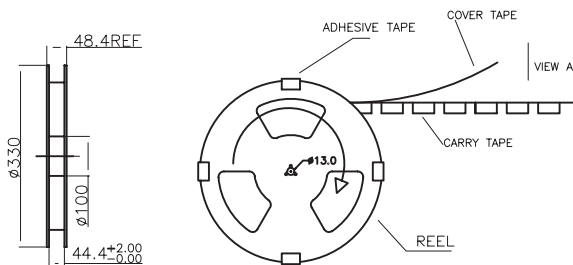


6.95REF

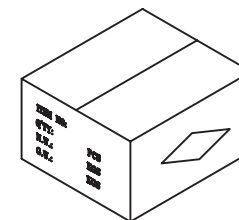
SIM CARD NO.		FUNCTION NO.
P1	C1	VCC:PWR SIGNAL AND GND
P2	C2	RST:RESET SIGNAL
P3	C3	CLK:CLOCKING SIGNAL
P4	C4	RESERVED
P5	C5	GND:PWR SIGNAL AND GND
P6	C6	VPP: PROGRAMMING VOLTAGE
P7	C7	I/O:SERAL DATE INPUT/OUTPUT
P8	C8	RESERVED

GENERAL TOLERANCE		DWG NO.	LZA1231-45	APPD:	WIND	Scale	1:1
X.±0.45	x.±5°	Title	SIM CARD SMT TYPE 3.80H	CHKD:		UNIT	mm
.X±0.35	.x±2°			DR:			
.XX±0.25	.xx±1°	Part NO.	ASMFS380B01BR016	Date	2012/04/16		
.XXX±0.15	.xxx±0.5°						
SHEET	2/2	东莞市汉硕电子科技有限公司					

REV.	ECN.NO.	MODIFY.CONTENT	DATE
A		NEW	2012/04/13

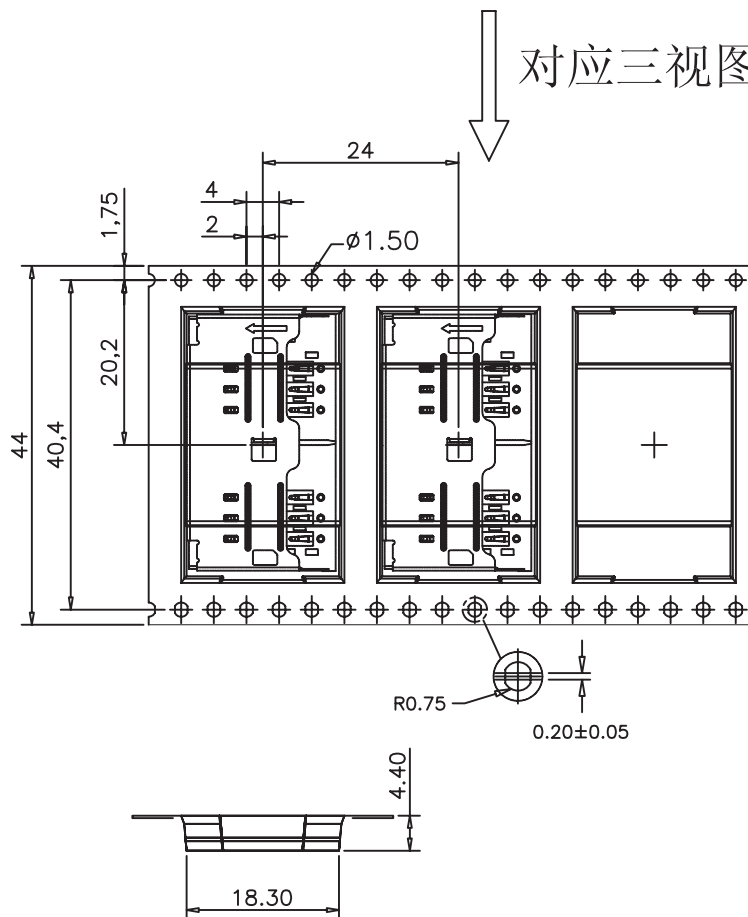


每箱装7盘, 依次叠在一起(图一)



封箱, 填写相关内容(图二)

对应三视图



NOTE:

1. CARRY TAPE(黑色)前部分与尾部分各留出150~300mm长度不装产品
2. 每穴放置1PCS产品, 放置方式如图所示
3. 包装机包好后, 在REEL的个等分点贴上胶带, 以防止REEL张开, 每REEL贴1PCS标签
4. 包装数量: 600PCS/REEL, 7REEL/CARTON, 4200S/CARTON
5. 依次将产品放入箱内, 共放7盘(图示一)
6. 封箱, 在封好的纸箱上按客户要求写上料号, 数量等(图示二)
7. 顺向出料, 单孔朝外。
8. 顺向出料, 双孔按图示三

GENERAL TOLERANCE		DWG NO.	LZA0519-002	APPD:	WIND	Scale	1:1
X.±0.45	x.*±5°	Title	并排 SIM CARD SMT TYPE 3.25H-3.80H 包装图	CHKD:		UNIT	mm
.X±0.35	.x.*±2°			DR:			
.XX±0.25	.xx.*±1°	Part NO.		Date	2012/04/13		
.XXX±0.15	.xxx.*±0.5°						
SHEET	1/1	东莞市汉硕电子科技有限公司					