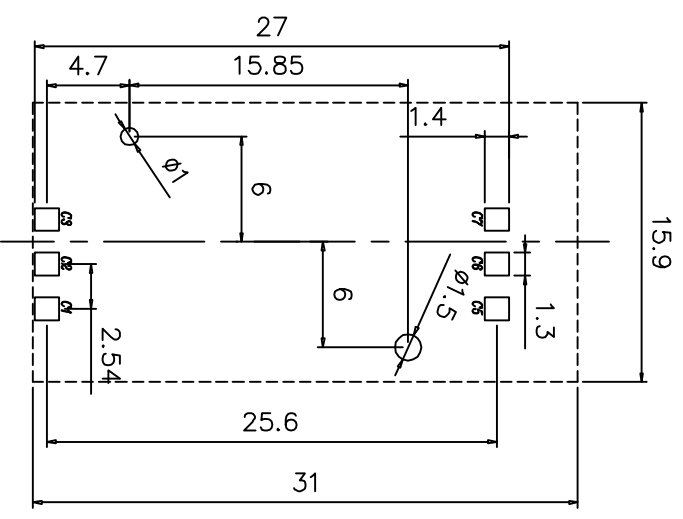
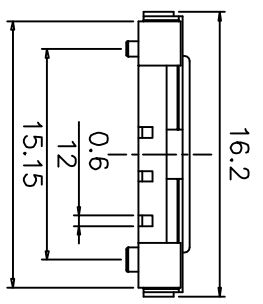
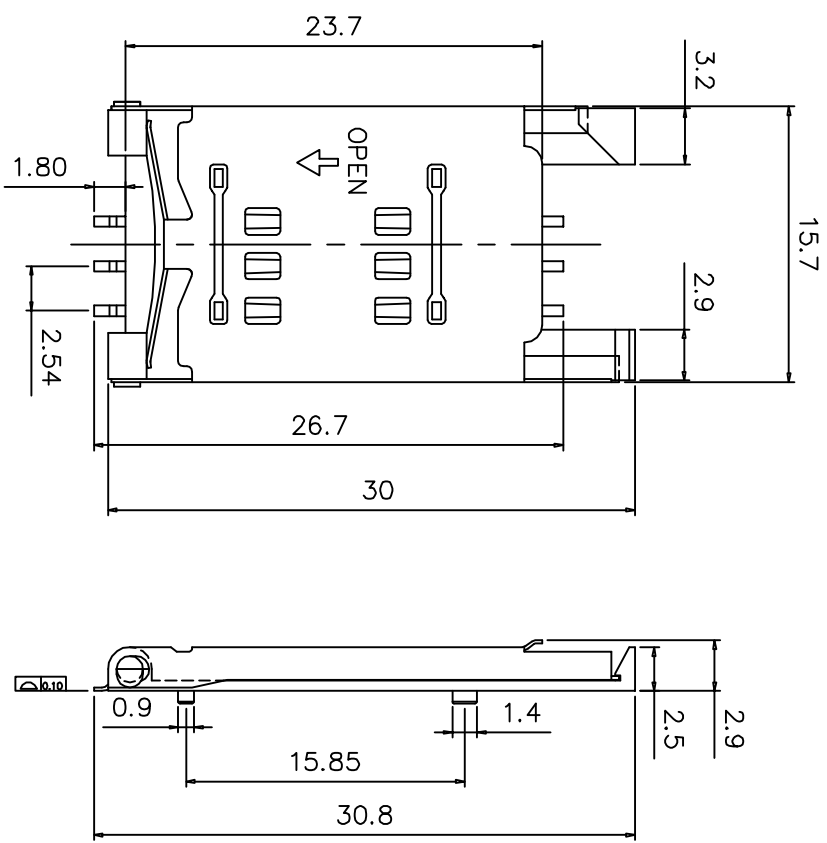
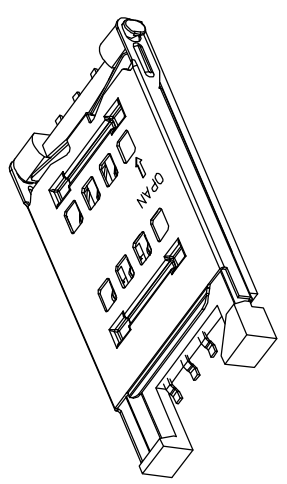
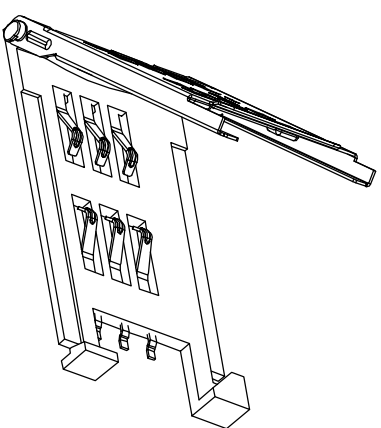


REV	DESCRIPTION	DATE
1		



SIM Card Connector, With
Cover, Type 1, 8 Pin
Physical:
Housing: LCP UL 94V-0
Contact: Selective Gold Flash
Specifications:
Contact Withstanding Voltage:
AC 500V For 1 Minute

PCB LAYOUT RECOMMENDED

TOLERANCE		MATERIAL		UNITS		SCALE		DATE	
X	±0.25	X'	± 2'	mm		1 / 1		20110922	
.XX	±0.15	.XX'	± 1'	CHECKED		DRAWN		PROL.	
XXX	±0.10			shangbin		shangbin			

DRAWN NAME:
SIM CARD 6PIN SMT
METAL COVER

DWG NO. JK0080628L21
PART NO.

东莞市汉硕电子科技有限公司