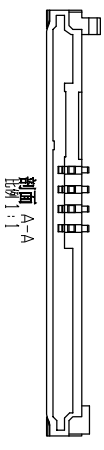
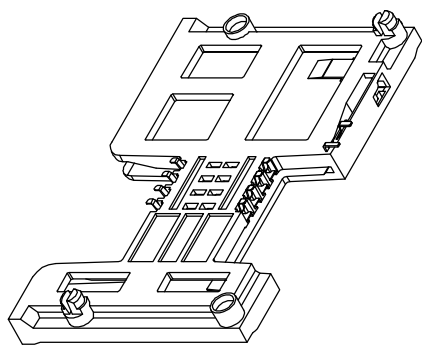
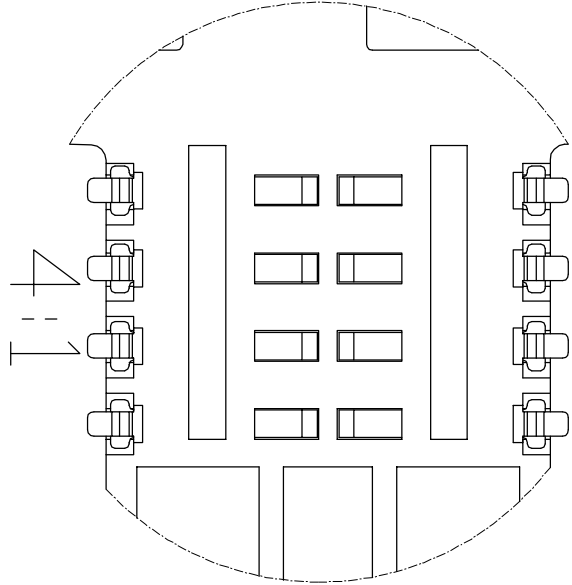
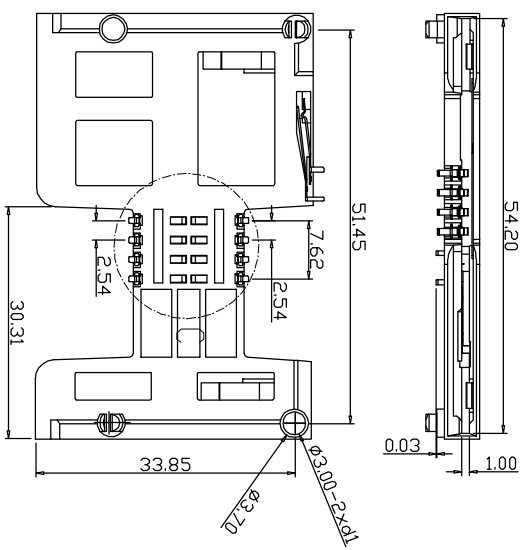
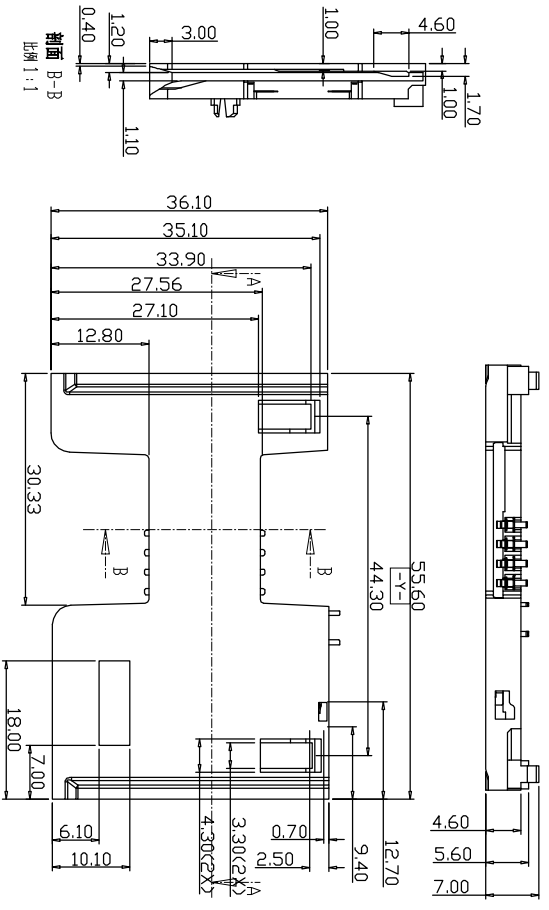


REV	DESCRIPTION	DATE
1		

TECHNICAL CHARACTERISTICS

- General Characteristics
  - Dimensions: 55.60LX36.20WX6.72H mm
  - Weight: Approx: 6.47±0.5g
  - Durability: 50,000 cycles min.
- Electrical Characteristics
  - Contact resistance: 50mΩ typical, 100mΩ max
  - Insulation resistance: >1000MΩ/500V DC
- Solderability
  - Manual soldering: 370°C, 3sec. Max
- Environmental Characteristics
  - Operating temperature: -40°C~+85 °C
  - Operating humidity: 10%~+95%RH



TOLERANCE		MATERIAL		UNITS		SCALE		DATE	
X	±0.25	X'	± 2'	mm	1 / 1			20110922	
.XX	±0.15	.XX'	± 1'					PROJ.	
XXX	±0.10							CHECKED	
								DRAWN	
								APPROVAL	

东莞市汉硕电子科技有限公司

DRAWN NAME:	DWG NO.
SMART CARD CONNECTOR (ROHS)	JK0080628L37
	PART NO.