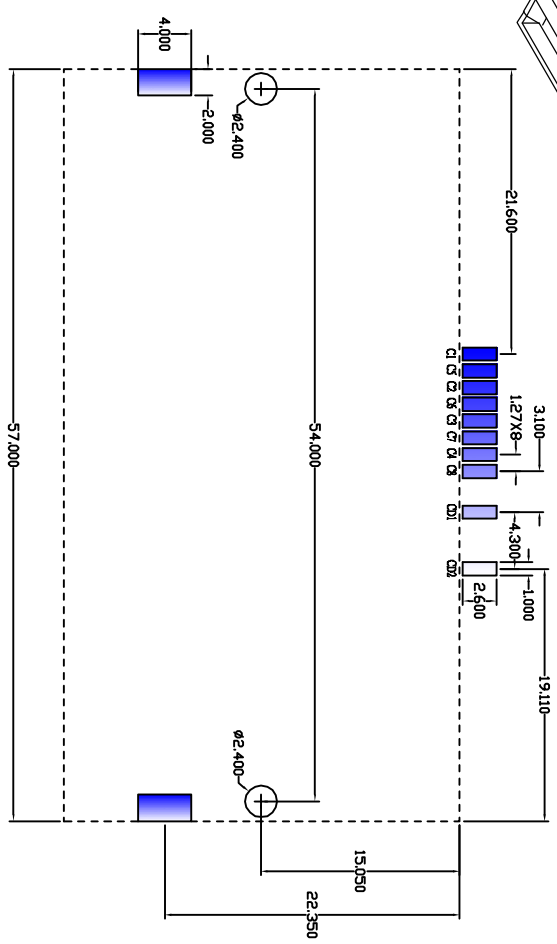
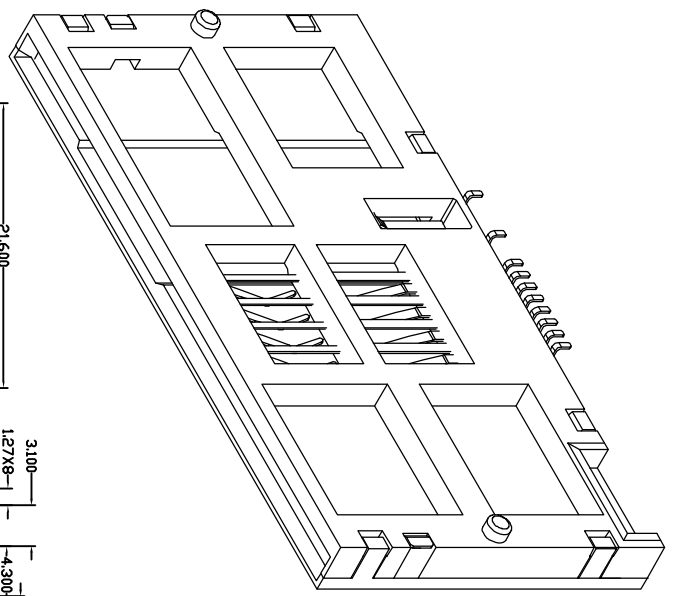
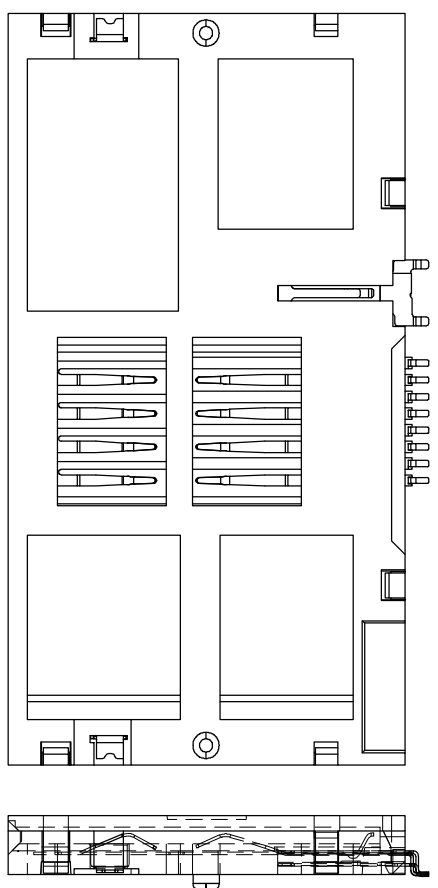
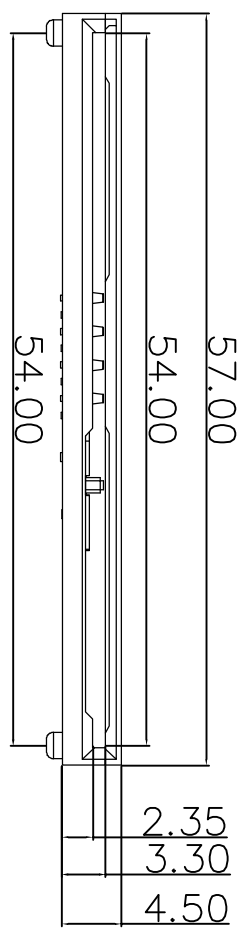
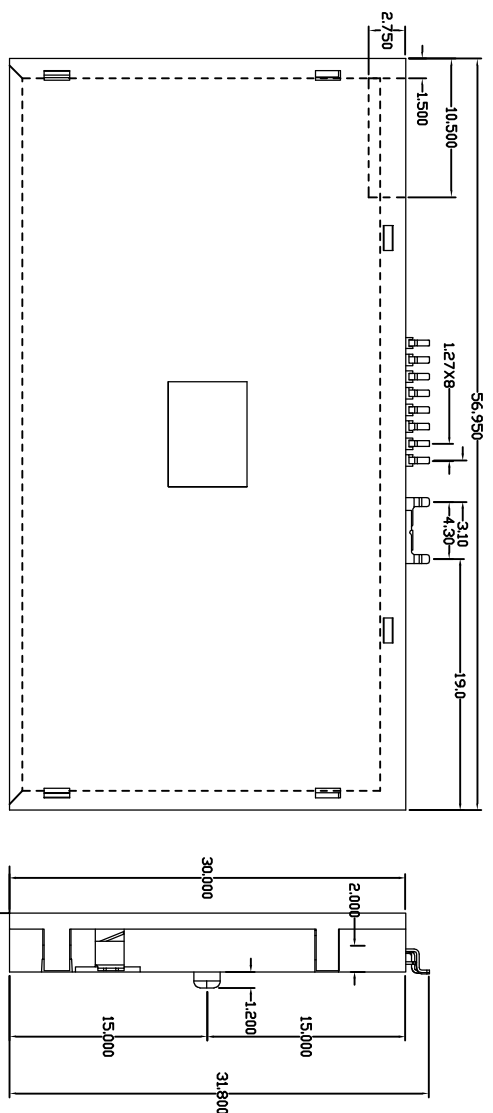


REV	DESCRIPTION	DATE

NOTE:
 1. CARD INSERTION SPECIFICATION
 A. CARD INSERTION DEPTH: 3.5.3 MM.
 B. CARD THICKNESS: 0.7-0.8 MM.
 2. READING CONTACT:
 POSITION: ACCORDING TO
 ISO 07816-2 C1-C8.
 CONTACT FORCE: 30-50 GRAM.
 3. MATERIAL AND FINISH:
 A. HOUSING: LCP UL 94-V0 COLOR: BLACK.
 B. CONTACT: PHOSPHOR BRONZE SELECTIVE PLATING AU
 OVER 50μ" NI MIN UNDERPLAT SN ONLY ON TAIL ZONE.
 C. SWITCH: PHOSPHOR BRONZE SELECTIVE PLATING AU
 OVER 50μ" NI MIN UNDERPLAT SN ONLY ON TAIL ZONE.



TOLERANCE		MATERIAL		UNITS		SCALE		DATE	
X	±0.25	X'	± 2'	mm	mm	1	/	1	20120410
.XX	±0.15	.XX'	± 1'						
XXX	±0.10								

APPROVAL: *zhonghua*
 CHECKED: *zhonghua*
 DRAWN: *zhonghua*
 PROJ:

TITLE
 OUTLINE DRAWING
 (SHORT SMT TYPE)

DWG NO.
 PART NO.
JK 706

东莞市汉硕电子科技有限公司