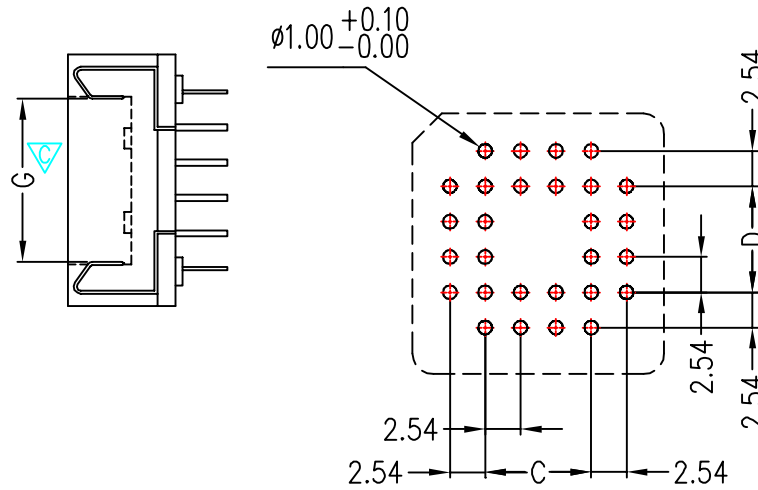
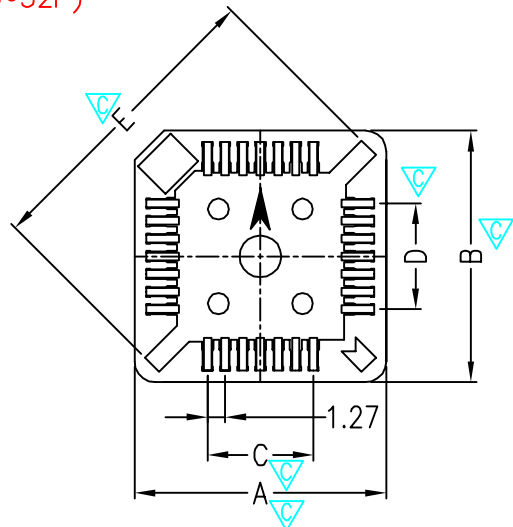
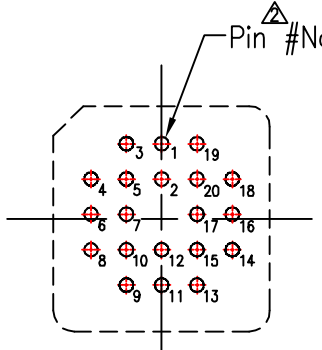
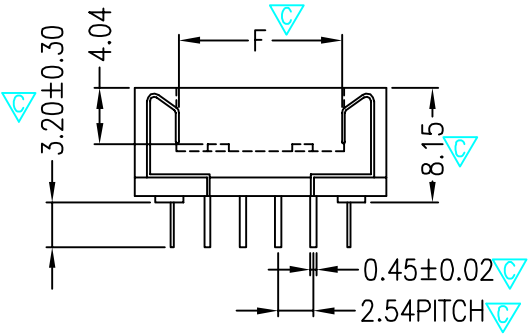


(20P~32P)

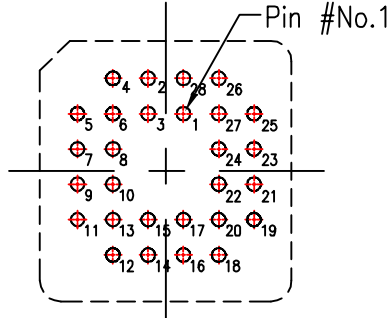
| REV | DESCRIPTION | DATE |
|-----|-------------|------|
| | | |



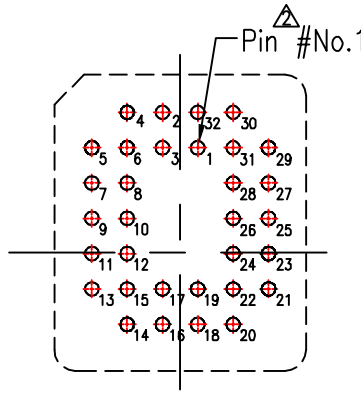
(RECOMMENDED PCB LAYOUT)



(20 POSITION LAYOUT)



(28 POSITION LAYOUT)



(32 POSITION LAYOUT)

MATERIAL:
 INSULATOR: PPS UL94 V-0, BROWN.
 PBT UL94 V-0, BLACK.
 CONTACT: PHOSPHOR BRONZE.
 FINISH:
 CONTACT: 80u" MIN. SN ONLY (SHINE OR MATTE) OR GOLD
 PLATED ON CONTACT AREA OVER 30u" MIN.
 NICKEL UNDER-PLATING.

SPECIFICATION:
 CURRENT RATING: 1A MAX.
 VOLTAGE RATING: 250V AC MAX.
 DIELECTRIC STRENGTH: 600V AC RMS FOR ONE MINUTE.
 CONTACT RESISTANCE: 20 mΩ MAX.
 INSULATION RESISTANCE: 1000M Ω MIN. AT 500V DC.
 TEMPERATURE: -40°C TO +105°C

DURABILITY: 25 CYCLES.
 "▽" CRITICAL DIMENSION

ORDER INFORMATION:
 140 XX - X 0 X X 0 0 1 N

Series No. | Logo: N-No Logo
 no. of contact: | Packaging: 1-tube
 Contact Plated: | Post: 0-Without
 A-Tin/Non-Lead (SHINE) | Insulator Color: 0-Black
 B-Full Gold | 7-Brown
 C-Tin/Non-Lead (Matte Sn)
 Contact /Material: 0-Phos. bronze
 Insulator Material: A-PBT/LEAD FREE
 B-PPS/LEAD FREE

| NO. OF PIN | DIMENSION(MM) | | | | | | |
|------------|---------------|-------|-------|-------|--------|-------|-------|
| | A±0.2 | B±0.2 | C±0.2 | D±0.2 | E±0.38 | F±0.2 | G±0.2 |
| 20P | 15.56 | 15.56 | 5.08 | 5.08 | 17.20 | 8.90 | 8.90 |
| 28P | 18.10 | 18.10 | 7.62 | 7.62 | 20.70 | 11.46 | 11.46 |
| 32P | 18.10 | 20.54 | 7.62 | 10.16 | 22.65 | 11.36 | 13.94 |

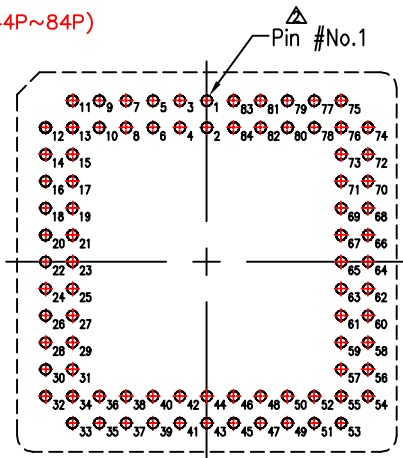
| | | | | |
|---------------------|----------|----------|----------|----------|
| TOLERANCE | MATERIAL | UNITS | SCALE | DATE |
| .X ±0.25 X' ± 2' | | mm | 1 / 1 | 20110922 |
| .XX ±0.15 X'X' ± 1' | APPROVAL | CHECKED | DRAWN | PROJ. |
| .XXX ±0.10 | | zhangbin | zhangbin | |

东莞市汉硕电子科技有限公司

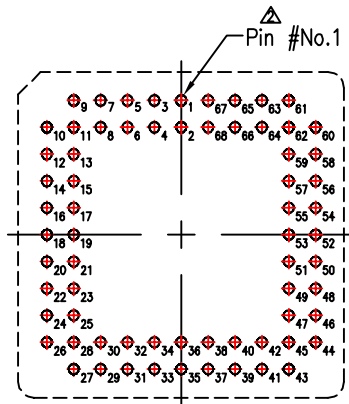
DRAWN NAME:
 PLCC DIP TYPE
 20P~ 84P (RoHS)

DWG NO. JK0080628L15
 PART NO.

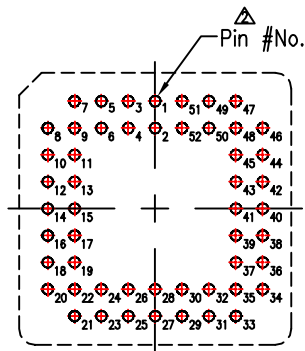
(44P~84P)



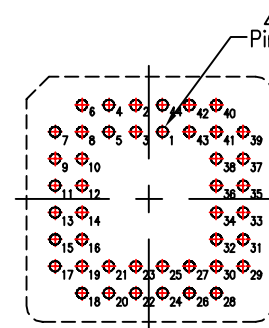
(84 POSITION LAYOUT)



(68 POSITION LAYOUT)

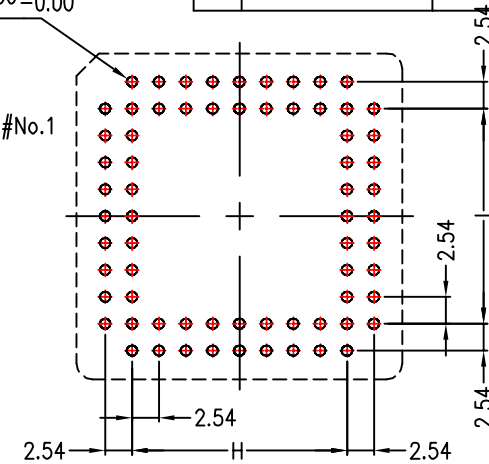


(52 POSITION LAYOUT)

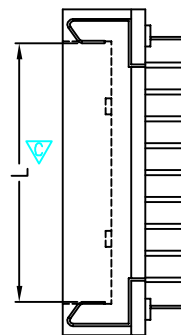
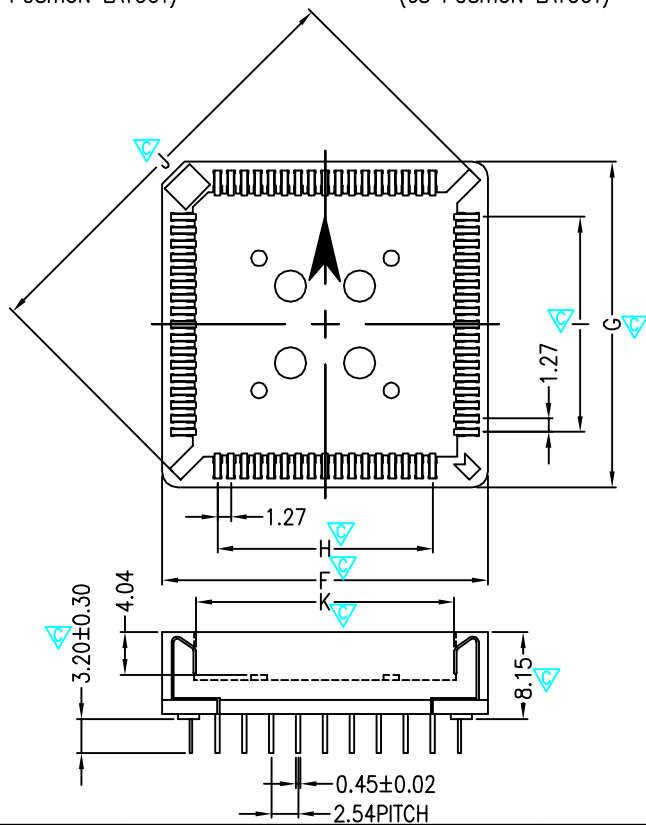


(44 POSITION LAYOUT)

$\phi 1.00^{+0.10}_{-0.00}$



(RECOMMENDED PCB LAYOUT)



| REV | DESCRIPTION | DATE |
|-----|-------------|------|
| | | |

| TOLERANCE | MATERIAL | UNITS | SCALE | DATE |
|------------|-----------|----------|----------|----------|
| .X ±0.25 | X' ± 2' | mm | 1 / 1 | 20110922 |
| .XX ±0.15 | X*X' ± 1' | CHECKED | DRAWN | PROJ. |
| .XXX ±0.10 | APPROVAL | zhangbin | zhangbin | |

东莞市汉硕电子科技有限公司

DRAWN NAME:
 PLCC DIP TYPE
 20P~84P (RoHS)

DWG NO. JK0080628L15
 PART NO.