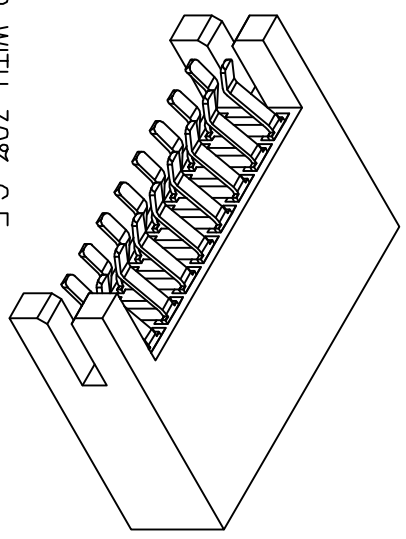
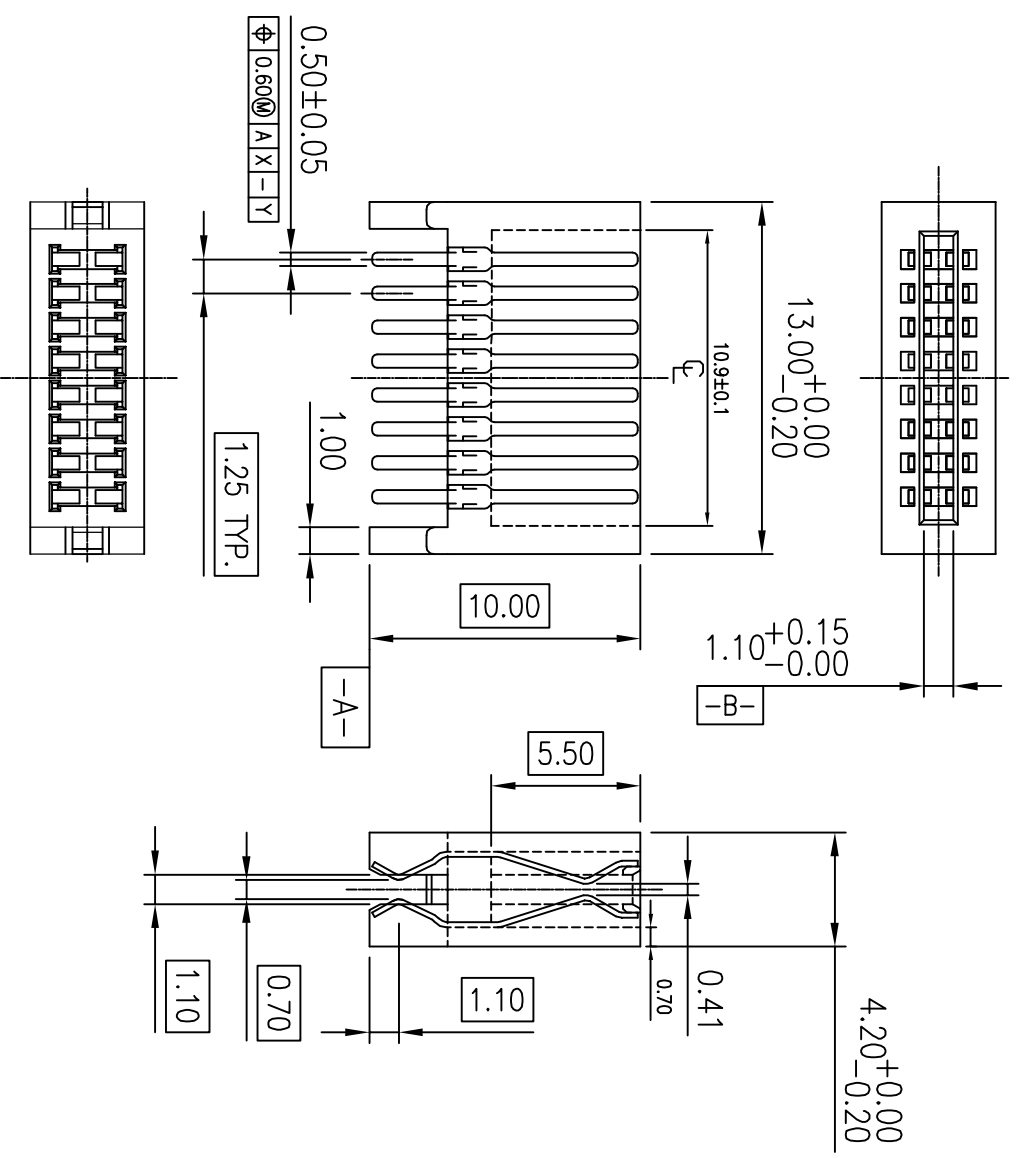


REV	DESCRIPTION	DATE



MATERIAL:
HOUSING: LCP WITH 30% G.F.
CONTACT: BRASS-5191 T=0.20 MM

FINISH:
CONTACT: GOLD PLATED ON CONTACT AREA & 100u" MIN.
SN ONLY (MATTE) PLATED ON SOLDERING END
OVER 30u" NICKEL UNDER-PLATING.

SPECIFICATION:
VOLTAGE RATING: 50 VOLTS AC(RMS)/DC
CURRENT RATING: 1.1 AMPS PER PIN
DIELECTRIC STRENGTH: 500V AC FOR 1 MINUTE
CONTACT RESISTANCE: 35mΩ MAX.
INSULATION RESISTANCE: 1000MΩ MIN
TEMPERATURE: FIELD 65°C

▽ "CRITICAL DIMENSION."

TOLERANCE	MATERIAL	UNITS	SCALE	DATE
X ±0.25	X'	± 2	mm	20110922
XX ±0.15	X'X'	± 1	1 / 1	
XXX ±0.10				

APPROVAL: *yangbin*

CHECKED: *yangbin*

DRAWN: *yangbin*

PROJ.

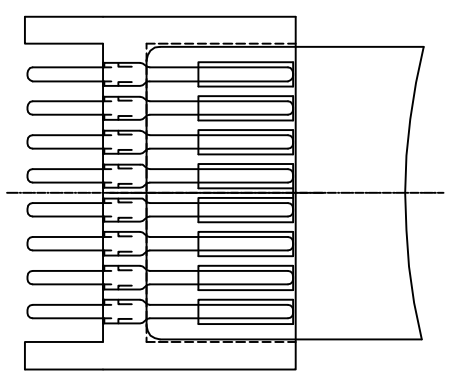
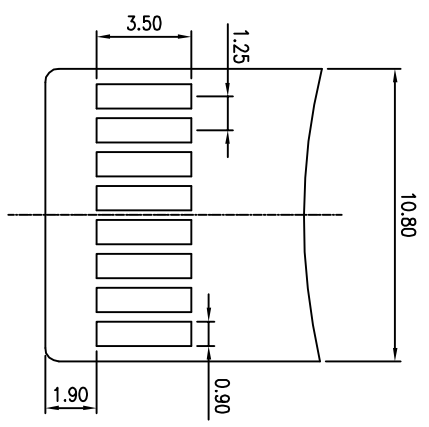
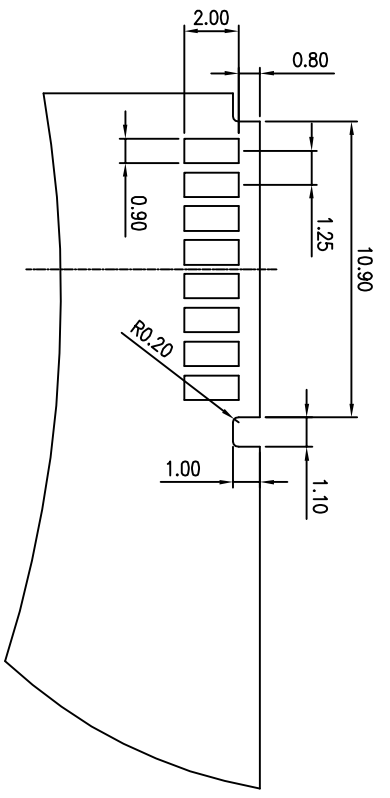
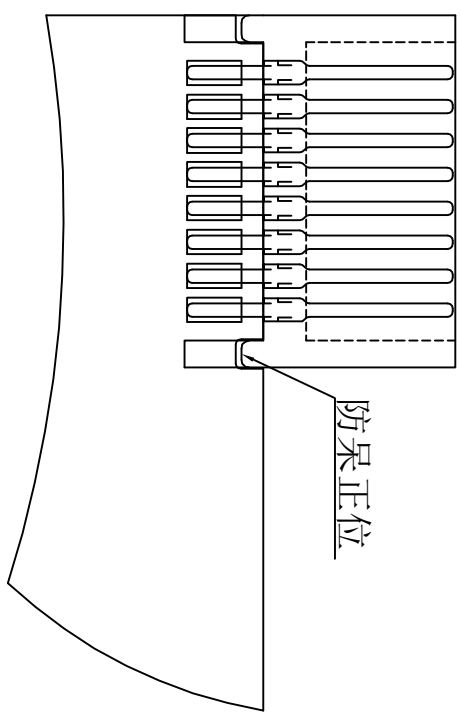
DRAWN NAME: PCI 16 PIN 夹板式

DWG NO. JK0080628L12

PART NO.

东莞市汉硕电子科技有限公司

REV	DESCRIPTION	DATE



TOLERANCE		MATERIAL		UNITS		SCALE		DATE	
X	±0.25	X'	± 2'	mm		1 / 1		20110922	
XX	±0.15	X'X'	± 1'	CHECKED	DRAWN	PROL.			
XXX	±0.10			Approval					

东莞市汉硕电子科技有限公司

DRAWN NAME:
PCI 16 PIN PCB

DWG NO.
JK0080628L12